

NS-208A/NSM-208A

NEW

8-port Industrial 10/100 Mbps Ethernet Switch



Highlight Information >>>



Features >>>

- Cost-effective
- Automatic MDI/MDI-X crossover for plug-and-play
- Store-and-forward architecture
- Full duplex IEEE 802.3x and half duplex backpressure flow control
- Each port supports both 10/100 Mbps speed auto negotiation
- Supports +12 ~ +48 V_{DC} power input
- Supports operating temperatures from -40 °C ~ +75 °C
- DIN-Rail

Introduction

The NS-208A/NSM-208A has 8 Ethernet ports that support 10/100 Base-TX, with a 10/100M auto negotiation feature and auto MDI/MDI-X function.

All Ethernet ports have memory buffers that support the store-and-forward mechanism, which assures that data can be transmitted properly. The NS-208A/NSM-208A supports advanced network standards to optimize network performance, reduce maintenance costs, and secure network safety.

The flow control mechanism is also negotiated. There is link/data rate LEDs for each port to aid troubleshooting. Port connectors are shielded RJ-45.

Comparison Table of 8-Port 10/100 Mbps Ethernet switch

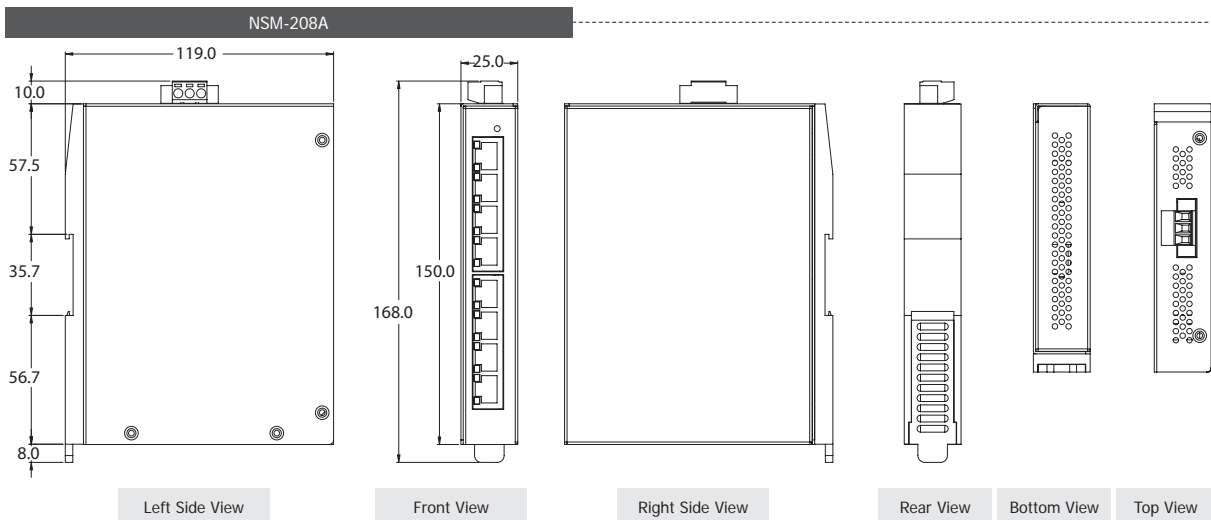
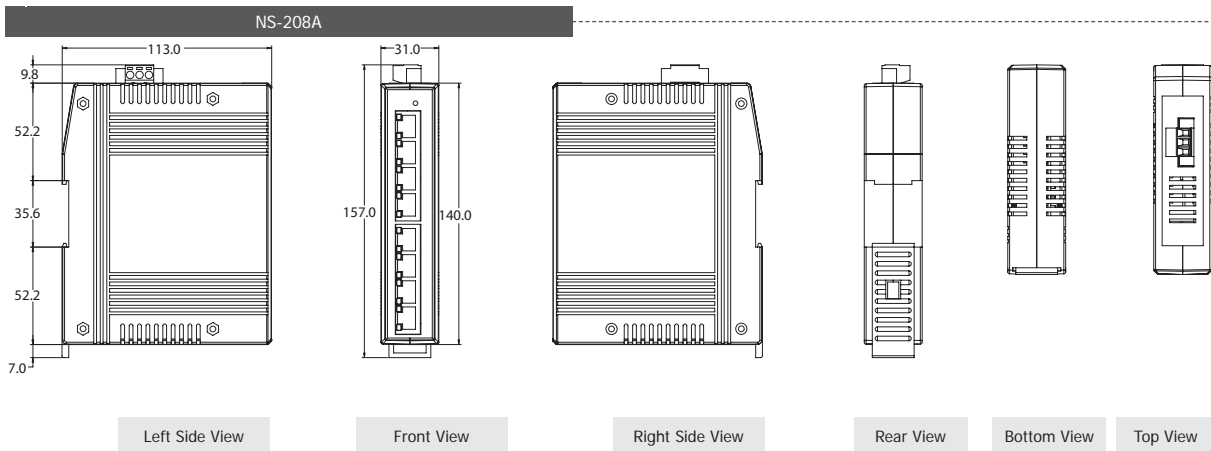
| Mode Name | NS-208 | NSM-108 | NS-208A | NSM-208A | NS-208R |
|--------------------------------------|--------------------------|---------------------------|--------------------------|----------------|-------------------|
| Input Voltage Range | +10 ~ 30 V _{DC} | | +12 ~ 48 V _{DC} | | |
| Casing | Plastic | Metal | Plastic | Metal | Plastic |
| Installation | DIN-Rail | DIN-Rail or Wall Mounting | DIN-Rail | | |
| Dimensions (W x H x D) (Unit: mm) | 64 x 98 x 118 | 73 x 102 x 132 | 31 x 157 x 113 | 25 x 168 x 119 | 64 x 98 x 118 |
| Remarks | - | | Cost-effective | | EN50155-certified |

Specifications

| Models | NS-208A | NSM-208A |
|---------------------|---|----------|
| Technology | | |
| Standards | IEEE 802.3, 802.3u, 802.3x | |
| Processing Type | Store & forward; wire speed switching | |
| MAC Addresses | 1024 | |
| Memory Bandwidth | 2 Gbps | |
| Frame Buffer Memory | 512 Kbit | |
| Flow Control | IEEE 802.3x flow control, back pressure flow control | |
| Interface | | |
| RJ-45 Ports | 10/100 Base-T(X) auto negotiation speed, F/H duplex mode, and auto MDI/MDI-X connection | |
| LED Indicators | Power, Link/Act, 10/100M | |
| Ethernet Isolation | 1500 V _{rms} 1 minute | |
| EMS Protection | Yes | |

| Models | NS-208A | NSM-208A |
|---------------------------|-----------------------------------|-------------------------|
| Power Input | | |
| Input Voltage Range | +12 ~ +48 Vdc | |
| Power Consumption | 0.2 A @ 24 Vdc | |
| Protection | Power reverse polarity protection | |
| EMS Protection | Yes | |
| Connection | 3-Pin Removable Terminal Block | |
| Mechanical | | |
| Casing | Plastic (Flammability UL 94V-0) | Metal (IP30 Protection) |
| Dimensions (W x L x H) | 31 mm x 157 mm x 113 mm | 25 mm x 168 mm x 119 mm |
| Installation | DIN-Rail | |
| Environment | | |
| Operating Temperature | -40 °C ~ +75 °C | |
| Storage Temperature | -40 °C ~ +85 °C | |
| Ambient Relative Humidity | 10% ~ 90% RH, non-condensing | |

Dimensions (Units: mm)



Ordering Information

| | |
|-------------|--|
| NS-208A CR | Unmanaged 8-port Industrial 10/100 Mbps Ethernet Switch (RoHS) |
| NSM-208A CR | Unmanaged 8-port Industrial 10/100 Mbps Ethernet Switch with Metal Casing (RoHS) |

Accessories

| | |
|--------------|---|
| MDR-60-48 | 48 V/1.25 A, 60 W Power Supply with DIN-Rail Mounting |
| DIN-KA52F-48 | 48 V/0.52 A, 25 W Power Supply with DIN-Rail Mounting |
| KA52F-48 | 48 V/0.52 A, 25 W Power Supply |