

MPT-3000V

In-Vehicle Computer System

e/E-Mark Certified Intel® Atom™ Processor E3845
In-Vehicle Fanless Box PC with WWAN Redundancy



Features

- Fanless and ruggedized design
- Dual SIM sockets support WWAN redundancy
- Removable 2.5" device bay and CFAST socket
- Rich I/O interfaces for wireless, SSD, GPS, WWAN and add-on card expansion
- Fully car battery power control
- Wide-range voltage GPIO interface
- Optional CAN 2.0B/ OBD-II function (SAE J1939)

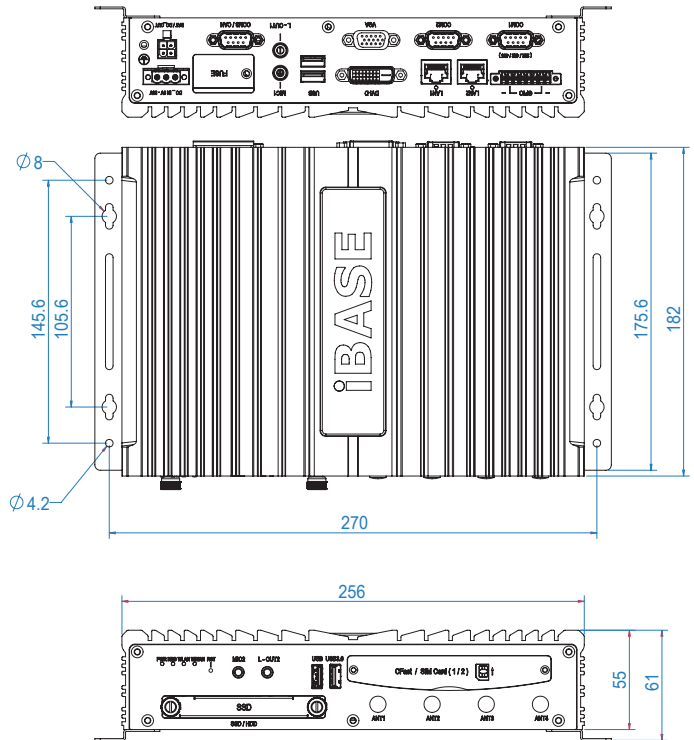
Specifications

System Mainboard	MBT-3001V
CPU Type	Intel® Atom™ Processor E3845
System Speed	1.91GHz
Memory	2x 2GB DDR3L-1333 SO-DIMM (Dual Channel)
Construction	Aluminum
Chassis Color	Black
Front Panel External I/O	CFAST, 2.5" device bay, 2nd Mic-In & Line-Out, 2x SIM sockets, 1x USB 3.0, 1x USB 2.0, Reset button, Status LEDs, 4x antenna connectors
Rear Panel External I/O	DVI-D, VGA, 3x COMs (one with RS422/485 options) 2x GbE, 2x USB 2.0, power connection 1st Mic-In & Line-Out, GPIO, GbE status LEDs
Storage	2.5" device bay for SSD & HDD
Expansion slots	1x Half-size Mini PCI-E socket (USB 2.0) 1x Full-size Mini PCI-E socket (USB 2.0 + PCI-E) 1x 2230 Socket 1 M.2 socket (USB 2.0 + PCI-E) 1x 3042 Socket 2 WWAN M.2 socket (USB 2.0) 1x 2280 Socket 3 SSD M.2 socket (SATA)
Power Supply	DC 9V~36V
Mounting	Custom mounting rail
Dimensions	256.0 (W) x 182.0 (D) x 55.0 (H) mm 10.08" (W) x 7.17" (D) x 2.16" (H)
Operating Temperature	SSD: -40°C ~ 70°C (-40°F~158°F) HDD: -20°C ~ 50°C (-4°F~122°F)
Storage Temperature	-40°C ~ 85°C (-40°F~185°F)
Relative Humidity	-40°C ~ 85°C (-40°F~185°F)
Vibration	Operating/Non-operating (SSD): 2.26 Grms (5~500 Hz) / MIL-STD-810G composite wheeled condition (Z-axis only) Operating/Non-operating (HDD): 1.04 Grms (5~500 Hz) / MIL-STD-810G highway truck condition (Z-axis only)
Shock	Non-operating: Sawtooth: 40G, 11 msec (Z-axis) Operating: Sawtooth: 20G, 11msec (Z-axis)
Certification	e/E-Mark, CE class B, FCC class B

Ordering Information

MPT-3000VSM	MPT-3000V with MBT-3001V, Intel® Atom™ Processor E3845 w/ 2x 2GB DDR3L-1333, SSD bay, No PSU, No storage (RoHS)
LTE-ANT-INT-1	20cm 4G/3G WWAN antenna cable from M.2 to SMA Jack
LTE-ANT-INT-2	20cm 4G/3G WWAN antenna cable from mPCI-E to SMA Jack
WLAN-ANT-INT-1	20cm WLAN antenna cable from M.2 to SMA Jack

Dimensions



ICP Electronics
Australia Pty Ltd

TEL: 02 9457 6011
sales@icp-australia.com.au
www.icp-australia.com.au

