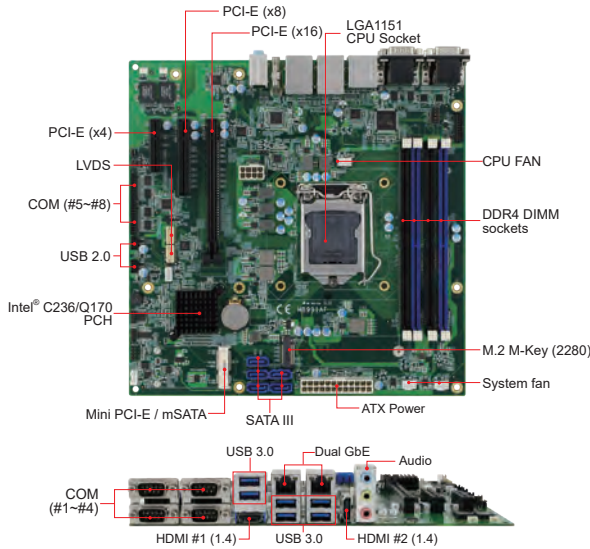


# MB991

## Micro ATX Motherboard

7th/6th Gen Intel® Xeon E3 / Core™ i7/i5/i3 Pentium®/Celeron®  
Micro ATX Motherboard w/ Intel® C236 PCH



## Features

- 7th/ 6th Gen Intel® Xeon E3/Core™ i7/i5/i3 / Pentium® / Celeron® QC/DC processors, up to 4.2GHz
- 4x DDR4 DIMM, Max. 64GB
- Intel® processor integrated graphics, supports HDMI, LVDS
- Dual Intel® Gigabit LAN
- 4x USB 2.0, 6x USB 3.0, 8x COM, 5x SATAIII
- 1x PCI-E (x16) [(x8) Link], 1x PCI-E (x8), 1x PCI-E (x4)
- 1x Mini PCI-E, 1x M.2 M-key (2280)
- Watchdog timer, Digital I/O, iAMT (11.6), TPM (2.0), iSMART

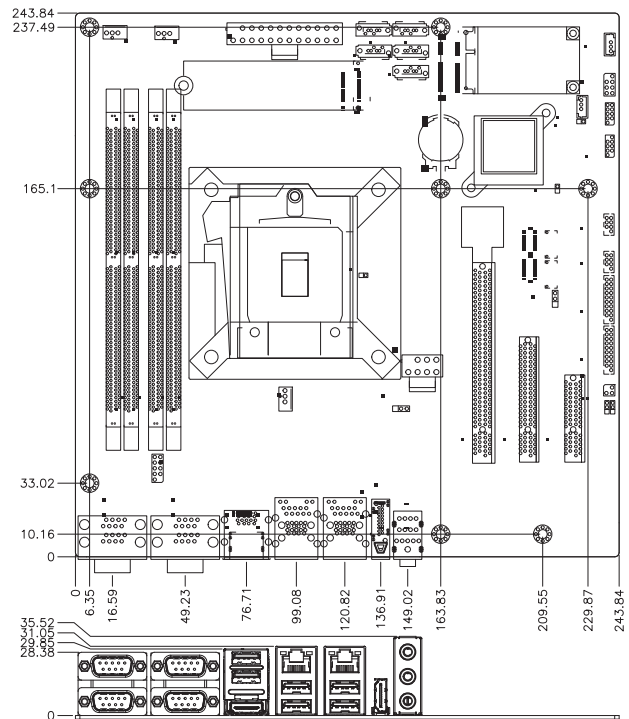
## Specifications

|                          |   |
|--------------------------|---|
| CPU Socket               | LGA1151   |
| CPU                      | 7th/6th Gen Intel® Xeon E3/Core™ i7/i5/i3/ Pentium® / Celeron® QC/ DC processors, up to 4.2GHz              |
| PCH                      | MB991AF-C236: Intel® C236 PCH<br>MB991AF: Intel® Q170 PCH   |
| Memory Types             | 4x DDR4 DIMM, Max. 64GB (supports ECC by CPU SKUs)  |
| BIOS                     | AMI   |
| Watchdog Timer           | 256 levels  |
| H/W Monitor              | Yes   |
| Storage Device Interface | 1x mSATA via Mini PCI-E (Thru SATA III)<br>1x M.2 slot [Thru PCI-E (x1) x4](NVMe)                           |
| Expansion Slots          | 1x PCI-E (x16), 1x PCI-E (x8), 1x PCI-E (x4)<br>1x M.2 (2280)   |
| Mini Type Slots          | 1x Mini PCI-E   |
| Graphics Controller      | 7th/6th Gen Intel® Core™ i7/i5/i3/ Pentium®/ Celeron® processor Integrated                                  |
| Video Output             | 2x HDMI (1.4) and LVDS  |
| Ethernet                 | Intel® I219LM Gigabit LAN PHY<br>Intel® I211AT PCI-E Gigabit LAN  |
| I/O Chip                 | Fintek F81846AD-I + F81504D   |
| Serial Post              | 6x RS232, 2x RS232/422/485 (jumperless selection)   |
| USB 2.0                  | 4x USB 2.0 via pin-header   |
| USB 3.0/ 3.1             | 6x USB 3.0 on board   |
| Serial ATA               | 5x SATA III   |
| Audio                    | Intel® C236 / Q170 PCH built-in HD audio + Realtek ALC662 codec   |
| TPM                      | TPM (2.0)   |
| Others                   | Digital I/O (4-in/4-out), RAID, iAMT (11.6), iSMART   |
| Dimensions (L x W)       | 244mm x 244mm (9.6" x 9.6")   |
| Power Consumption        | Intel® Core i7-6700, 3.4GHz, w/ 4x 8GB DDR4-2133<br>12V: 7.1A<br>+5V: 1.81A<br>+5VSB: 0.11A<br>+3.3V, 0.70A |
| Operating Temperature    | 0°C~60°C ( 32°F~140°F )   |
| Storage Temperature      | -20°C~80°C ( -4°F~176°F)  |
| Relative Humidity        | 90% (non-condensing @60°C)  |

## Ordering Information

|              |  |
|--------------|--|
| MB991AF-C236 | LGA1151 C236 Micro ATX motherboard w/ 2x HDMI (1.4) and LVDS, dual Gigabit LAN, RAID, iAMT (11.6), TPM (2.0), iSMART |
| MB991AF      | LGA1151 Q170 Micro ATX motherboard w/ 2x HDMI (1.4) and LVDS, dual Gigabit LAN, RAID, iAMT (11.6), TPM (2.0), iSMART |

## Dimensions and Drawing



ICP Electronics  
Australia Pty Ltd

TEL: 02 9457 6011  
sales@icp-australia.com.au  
www.icp-australia.com.au

