

M101S, 10.1-inch Rugged Tablet PC

A Rugged Tablet that Can Survive Any Environment and Get Real Work Done.

M101S is a rugged tablet PC with robust set of features designed to withstand industrial use while providing high tech solutions that increase productivity, improve safety, and reduce operational costs. The processing power comes from Intel's core i5-7200U Kaby lake processor paired with genuine Intel graphics for high performance. The tablet features a brilliant, in-plane switching with direct optical bonding, projective capacitive touch screen, which is outdoor viewable and offers 1920 x 1200 pixel resolution. Weighing at just 2.7 pounds (approx. 1250 grams) the M101S delivers lightweight mobility in a rugged tablet.



Highlights

- 7th Gen Intel Core i5 Processor
- 10.1" 1920 x 1200 IPS LED Panel with direct optical bonding
- Optional 1D/2D Barcode Reader and HF RFID for data collection
- Hot-swappable battery design with optional High capacity battery pack
- IP65 waterproof and dustproof
- Rated for extreme temperature use

| Order Information | | | | |
|-------------------|----------|--------------------------|----------------------|----------|
| | 3G | 4G | 1D/2D Barcode Reader | HF RFID |
| M101S | Optional | Optional | N/A | N/A |
| M101S-HF | Optional | Optional | N/A | Default |
| M101S-H2 | Optional | Optional | Default | Default |
| M101S-BH | Optional | Optional | Default | N/A |
| M101S-LA | N/A | 4G/LTE for North America | Optional | Optional |
| M101S-LE | N/A | 4G/LTE for Europe | Optional | Optional |

M101S, 10.1-inch Rugged Tablet PC

A Rugged Tablet that Can Survive Any Environment and Get Real Work Done.

Display Specification

| | |
|----------------|--|
| Size | 10.1-inch IPS display with LED Backlight |
| Resolution | 1920 x 1200 WUXGA |
| Brightness | 8-800 nit With Direct optical bonding for sunlight readable |
| Touch | Multi-touch projected capacitive |
| Contrast Ratio | 800:1 |
| Viewing angle | 85/85/85/85 |
| Technology | <ul style="list-style-type: none">• Anti reflective and anti-glare technology (Optional)• Ambient light sensor, e-compass, gyro, acceleration sensors• Automatic screen rotation• Intel HD Graphics 520 (built-in CPU) video controller |

System Specification

| | |
|------------------|--|
| Processor | Intel Core i5-7200U Kaby lake 2.5GHz (turbo to 3.1GHz) |
| System Memory | 4GB DDR4 SDRAM ¹ (up to 8GB) |
| Storage | 64GB solid state drive (SSD) Optional 512GB, up to 128GB additional storage with optional microSDXC card slot |
| Operating system | Windows 10 IoT Enterprise |

Wireless Communication

| | |
|-----------|--|
| WLAN | 802.11 a/b/g/n/ac |
| Bluetooth | Bluetooth 4.2 |
| GNSS | GPS, GLONASS, BeiDou |
| WWAN | <ul style="list-style-type: none">• Optional 4G (LTE, HSPA+, GSM/GPRS/EDGE, EV-DO Rev A, 1xRTT)• Optional 3G (HSPA+, GSM/GPRS/EDGE) |

Interface

| | |
|-------------------|--|
| Docking Connector | 1 x 19-pin docking connector |
| HDMI | 1 x micro HDMI |
| USB | 1 x USB3.0 (Type A), 1 x USB3.0 (Type C) |
| Power input | 1 x Power Jack |
| Micro SD | 1 x micro SD Slot |
| Audio connector | 1 x Audio combo connector (Mic in or line out) |

Keyboard and Input

| | |
|----------------|---|
| Touch | <ul style="list-style-type: none">• 10-point multi touch, support Rain, Stylus, Glove Modes• On-screen QWERTY keyboard |
| Button | 1 x power, 1 x Home, 2 x volume key 2 x function key (Programmable function key configured by Hottab Utility) |
| LED Indicators | Power / Battery / HDD/ RF |

Audio

| | |
|------------|---|
| Microphone | Built-in dual Digital Mic with Noise Cancellation |
| Speaker | 2 x 1 watt speaker |

Cameras

| | |
|-------------|--|
| Web camera | 2MP webcam |
| Rear camera | 8MP rear camera with autofocus and LED light |

Data Capture

| | |
|---------|-----------------------------------|
| Barcode | Optional 1D/2D Barcode Reader |
| RFID | Optional HF RFID reader 13.56 MHz |

Security Function

| | |
|--------------------|---|
| Security | <ul style="list-style-type: none">• Password security for user and hard disk lock• Trusted Platform Module (TPM) V2.0 ² |
| Mobile Device Mgmt | SOTI Mobicontrol compatible ³ |

Mechanical and Environment

| | |
|-----------------------|---|
| Dimension (W x L x H) | 271.8 x 197.2 x 21 mm (10.7 x 7.76 x 0.83 inches) ⁴ |
| Weight | 1.25 kg (2.7 lbs) with standard battery, 1.45 kg (3.2 lbs) with optional high capacity battery |
| Operating Temperature | -20°C to 60°C (AC mode), -10°C to 50°C (Battery mode) |
| Storage Temperature | -30°C to 70°C (-22°F to 158°F) |
| Humidity | 10% to 90% RH, non-condensing |
| IP Proof | IP65 certified, Dustproof and waterproof |
| Shock | MIL-STD-810G Method 516.6 Procedure I |
| Vibration | MIL-STD-810G Method 514.6 Procedure I |
| Drop | MIL-STD-810G Method 516.6, 4 ft to concrete ⁵ |

Power Management

| | |
|------------------------|---|
| Power Input | 12-19V DC |
| Battery | 7.4V, 5140 mAh Li-Polymer Battery (2S1P) 7.4V, 10280 mAh Li-Polymer Battery (2S2P, optional) |
| Battery Operating Time | Std. Battery: 8 hours ⁶ High Capacity Battery: 16 hours ⁶ |
| Adapter | 100-240V, 50-60Hz, 19V DC |

Accessories

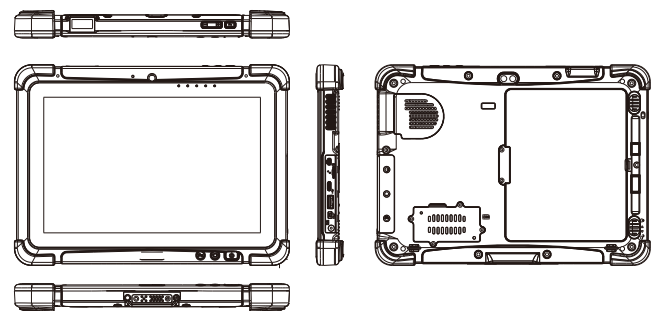
Standard Accessories

| | |
|-------------------|--------------|
| Adapter | 922D065W19V1 |
| Capacitive Stylus | 9B0000000415 |
| Standard Battery | 98K000A0003R |

Optional Accessories ⁷

| | |
|-----------------------------------|--------------|
| Desk Dock | 98DT00A0000E |
| Vehicle Dock (without VGA output) | 98DT00A0000F |
| Vehicle Charger | 9226065W19V0 |
| High Capacity Battery | 98K000A0003P |
| Battery Charger | 98KT00A0000F |
| Hand Strap | 98K000A0003J |
| Shoulder Strap | 98K000A0003Q |
| Carry Bag | 9B000000003J |
| Micro HDMI Cable | 9491191190K1 |
| Active Pen | 98K000A0007D |

Drawing ⁸



Do Not Expose the Battery Pack to Excessive Heat, or Extreme Heat (Near Fire, in Direct Sunlight for example)

Do not expose bare skin to this product when handling this unit in extreme hot or cold environments

1. Total usable memory will be less depending upon actual system configuration.
2. TPM 2.0 available upon request.
3. SOTI is available upon request.
4. Length measurements do not include protrusions. Weight varies with options and active pen.
5. The drop test with high-capacity battery must come with hand strap.
6. Measured at dimming LCD brightness. Varies depending on the usage conditions, or when an external device is attached.
7. Accessories and Integrated Options may vary depending on your configuration.
8. This is a simplified drawing and some components are not marked in detail.