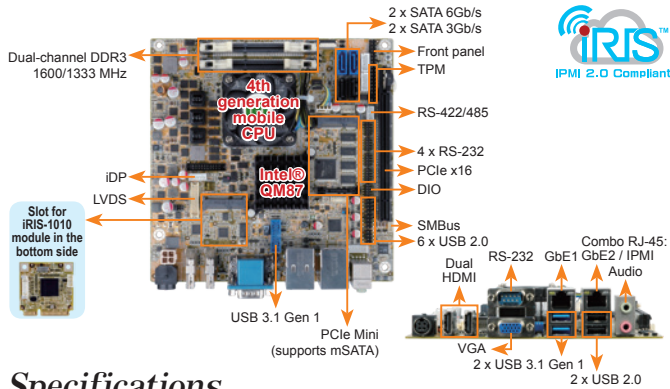


KINO-DQM871-i1

Mini-ITX SBC supports 4th generation 22nm Intel® mobile processors, HDMI/ VGA/LVDS/DP, dual Intel® PCIe GbE, USB 3.1 Gen 1 (5Gb/s), SATA 6Gb/s, iRIS-1010, audio and RoHS



Specifications

- ◆ CPU
Intel® mobile Core™ i7-4700EQ on-board processor with Intel® AMT 9.0 support (2.4GHz, quad-core, 6MB cache, TDP=47W)
Intel® mobile Core™ i5-4402E on-board processor with Intel® AMT 9.0 support (1.6GHz, dual-core, 3MB cache, TDP=25W)
Intel® mobile Core™ i5-4400E on-board processor with Intel® AMT 9.0 support (2.7GHz, dual-core, 3MB cache, TDP=37W) (by request)
- ◆ Chipset: Intel® QM87
- ◆ Memory: Two 204-pin 1600/1333 MHz dual-channel DDR3 SDRAM unbuffered DIMMs support up to 16 GB
- ◆ BIOS: UEFI BIOS
- ◆ Ethernet
LAN1: Intel® I217LM with Intel® AMT 9.0 support
LAN2: Intel® I210-AT PCIe controller
- ◆ Graphics Engine
Intel® HD Graphics Gen 7.5 supports DX11.1 and OpenCL 1.2, OpenGL 3.2
Full MPEG2, VC1, AVC Decode
- ◆ Audio
Realtek ALC662 HD codec supports 5.1-channel
2 x Audio jacks (line-out, mic-in) on rear IO
- ◆ iRIS Remote Management Module
1 x iRIS-1010 slot
- ◆ LAN LED: 2 x LAN LED (1x2 pin)
- ◆ Display Output
1 x VGA (up to 1920x1200@60Hz)
1 x 18/24-bit dual-channel LVDS (up to 1920x1200@60Hz)
2 x HDMI (up to 2500x1600@60Hz)
1 x iDP interface for HDMI, LVDS, VGA, DVI, DP (up to 3840x2160@60Hz)
- ◆ External I/O Interface
1 x RS-232 2 x USB 2.0
2 x USB 3.1 Gen 1 (5Gb/s)
- ◆ Internal I/O Interface
1 x KB/MS (1x6 pin)
1 x RS-422/485 (1x4 pin, P=2.0)
2 x SATA 3Gb/s
2 x SATA 6Gb/s (RAID 0/1/5/10 supported)
2 x USB 3.1 Gen 1 (5Gb/s) (2x10 pin, P=2.0)
4 x RS-232 (2x5 pin, P=2.0)
6 x USB 2.0 (2x4 pin, P=2.54)
- ◆ Front Panel: 1 x Front panel (2x7 pin, power LED, HDD LED, speaker, power button, reset button)
- ◆ SMBus: 1 x SMBus (1x4 pin)
- ◆ TPM: 1 x TPM (2x10 pin)
- ◆ Expansion: 1 x PCIe x16 slot
1 x Full-size PCIe Mini card slot (support mSATA)
- ◆ Watchdog Timer: Software programmable, support 1~255 sec. system reset
- ◆ Digital I/O: 8-bit digital I/O (2x5 pin)
- ◆ Fan Connector: 1 x CPU smart fan (1x4 pin)
1 x System smart fan (1x4 pin)
- ◆ Power Supply: 12V DC input
1 x Internal power connector (2x2 pin)
1 x External DC jack (4-pin DIN)
Support AT/ATX mode
- ◆ Power Consumption: 12V@6.03A (Intel® Core™ i7-4770EQ, 2.4GHz CPU with 8 GB (two 4 GB) 1333 MHz DDR3 memory)
◆ Operating Temperature: -20°C ~ 60°C
◆ Operating Humidity: 5% ~ 95%, non-condensing
◆ Dimensions: 170mm x 170mm
◆ Weight: GW: 900g / NW: 450g
◆ CE/FCC compliant

Packing List

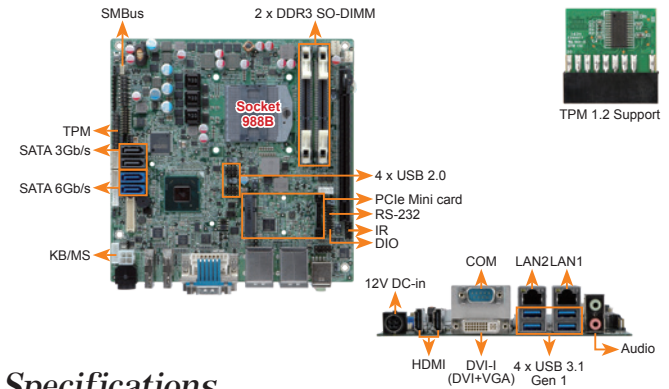
| | |
|--------------------------------|----------------------------------|
| 1 x KINO-DQM871-i1 motherboard | 2 x SATA with power output cable |
| 1 x CPU cooler | 1 x Mini jumper pack |
| 1 x I/O shielding | 1 x QIG |

Ordering Information

| Part No. | Description |
|------------------------|---|
| KINO-DQM871-i1-i7-R10 | Mini-ITX SBC supports Intel® 22nm mobile Core™ i7-4700EQ on-board processor, HDMI/VGA/LVDS/DP, AMT 9.0, dual Intel® PCIe GbE, USB 3.1 Gen 1 (5Gb/s), SATA 6Gb/s, iRIS-1010, audio and RoHS |
| KINO-DQM871-i1-i5E-R10 | Mini-ITX SBC supports Intel® 22nm mobile Core™ i5-4402E on-board processor, HDMI / VGA / LVDS / DP, dual Intel® PCIe GbE, AMT 9.0, USB 3.1 Gen 1 (5Gb/s), SATA 6Gb/s, iRIS-1010, audio and RoHS |
| iRIS-1010-R10 | IPMI 2.0 adapter card with AST1010 BMC chip (w/o KVM over IP function) for PCIe Mini socket interface |
| 19800-000300-100-RS | RS-232 cable with bracket, 300mm, P=2.0 |
| 19800-003100-100-RS | Dual port USB 2.0 cable with bracket, 300mm, P=2.54 |
| 19800-010500-200-RS | USB 3.1 Gen 1 (5Gb/s) cable with bracket, 450mm |
| 32000-023800-RS | PS/2 KB/MS cable, 135mm/110mm, P=2.0 |
| 32205-003800-200-RS | RS-422/485 cable, 200mm, P=2.0 |
| DP-DP-R10 | DisplayPort converter board (for IEI iDP connector) |
| DP-DVI-R10 | DisplayPort to DVI-D converter board (for IEI iDP connector) |
| DP-HDMI-R10 | DisplayPort to HDMI converter board (for IEI iDP connector) |
| DP-LVDS-R10 | DisplayPort to 24-bit dual-channel LVDS converter board (for IEI iDP connector) |
| DP-VGA-R10 | DisplayPort to VGA converter board (for IEI iDP connector) |
| TPM-IN01-R20 | 20-pin Infineon TPM module, software management tool, firmware v3.17 |

KINO-QM770

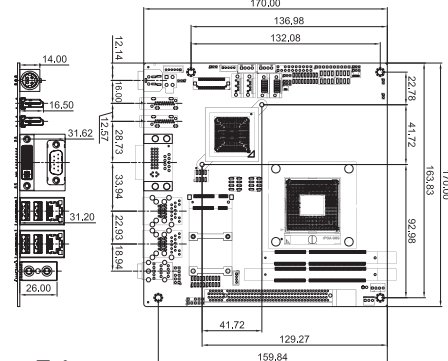
Mini-ITX SBC with Socket G2 for Intel® 22nm mobile CPU, DVI-I, dual HDMI, LVDS, dual PCIe GbE, USB 3.1 Gen 1 (5Gb/s), PCIe Mini, SATA 6Gb/s and audio



Specifications

- ◆ CPU: Socket G2 for 3rd generation Intel® 22nm mobile processor
- ◆ Chipset: Intel® QM77
- ◆ Memory: Two 240-pin 1600/1333 MHz dual-channel DDR3 SDRAM unbuffered DIMMs support up to 16 GB
- ◆ BIOS: UEFI BIOS
- ◆ Ethernet
LAN1: Intel® 82579 PHY with Intel® AMT 8.0 support
LAN2: Intel® 82583V PCIe controller
- ◆ Graphics Engine
Supports DX11 and OpenGL 3.1
Full MPEG2, VC1, AVC Decode
- ◆ Display Output
1 x DVI-I (up to 1920x1200@60Hz)
1 x 18/24-bit dual-channel LVDS (up to 1920x1200@60Hz)
2 x HDMI (up to 1920x1200@60Hz)
- ◆ Audio
Realtek ALC892 HD codec
2 x Audio jacks (line-out, mic-in) on rear IO
1 x Front Audio (2x5 pin)
- ◆ SMBus: 1 x SMBus (1x4 pin)
- ◆ TPM: 1 x TPM (2x10 pin)
- ◆ Expansion
1 x PCIe x16 slot 1 x PCIe Mini card slot
- ◆ Digital I/O: 8-bit digital I/O (2x5 pin)
- ◆ External I/O Interface
1 x RS-232 4 x USB 3.1 Gen 1 (5Gb/s)
- ◆ Internal I/O Interface
1 x KB/MS (1x6 pin)
2 x SATA 3Gb/s
1 x RS-232 (2x5 pin, P=2.0)
2 x SATA 6Gb/s (RAID 0/1/5/10 supported)
1 x RS-422/485 (1x4 pin, P=2.0)
4 x USB 2.0 (2x4 pin, P=2.54)
- ◆ Watchdog Timer: Software programmable supports 1~255 sec. system reset
- ◆ Infrared Interface: 1 x Infrared interface (1x5 pin)
- ◆ Fan Connector
1 x CPU smart fan (1x4 pin)
1 x System fan (1x3 pin)
- ◆ Power Supply
12V DC input
1 x Internal power connector (2x2 pin)
1 x External DC jack (4-pin DIN)
Support AT/ATX mode
- ◆ Power Consumption
12V@6.08A (2.3GHz Intel® Core™ i7-3610QE with two 1333 MHz 4 GB DDR3 memory running 3DMark06 burn in)
◆ Operating Temperature: -10°C ~ 60°C
◆ Storage Temperature: -20°C ~ 70°C
◆ Operating Humidity: 5% ~ 95%, non-condensing
◆ Dimensions: 170 mm x 170 mm
◆ Weight: GW: 900g / NW: 450g
◆ CE/FCC compliant

Dimensions (Unit: mm)



Packing List

| | |
|--------------------------------------|----------------------------------|
| 1 x KINO-QM770 single board computer | 2 x SATA with power output cable |
| 1 x I/O shielding | 1 x Mini jumper pack |
| 1 x RS-232 cable with bracket | 1 x QIG |

Ordering Information

| Part No. | Description |
|---------------------|---|
| KINO-QM770-R10 | Mini-ITX SBC with Socket G2 for Intel® 22nm mobile CPU, DVI-I/dual HDMI/LVDS, dual PCIe GbE, USB 3.1 Gen 1 (5Gb/s), PCIe Mini, SATA 6Gb/s and Audio |
| 19800-003100-100-RS | Dual port USB 2.0 cable with bracket, 300mm, P=2.54 |
| 32000-023800-RS | PS/2 KB/MS cable, 135mm/110mm, P=2.0 |
| 32205-003800-300-RS | RS-422/485 cable, 200mm, P=2.0 |
| 33200-000031-RS | DVI-I to VGA adapter connector |
| CF-989A-RS-R12 | CPU cooler for mobile socket-G (PGA988) up to 55W processor, copper, 60 x 60 x 27.6mm, RoHS |
| SACF-KIT01-R10 | SATA to CF converter board |
| TPM-IN01-R20 | 20-pin Infineon TPM module, software management tool, firmware v3.17 |