

**I-7560**

USB to RS-232 Converter

**I-7560U** *NEW*

USB to RS-232 Converter (Windows 8 / 8.1)



**Features** ▶▶▶▶

- Fully Compliant with the USB 1.1/2.0/3.0
- Transmission speed up to 921.6 kbps (For I-7560U)
- No External Power Supply required
- Operating Temperatures, -25 °C ~ +75 °C

**Introduction**

The I-7560/I-7560U provides a Windows serial COM port via it's USB connection and is compatible with new and legacy RS-232 devices. USB Plug-and-Play allows easy serial port expansion and requires no IRQ, DMA, or I/O port settings manually.

The I-7560/I-7560U features a full set of RS-232 modem data and control signals (TxD, RxD, RTS, CTS, DSR, DTR, DCD, RI and GND) on it's PC compatible DB-9 male connector. It also features a high-speed 115200 bps transmission rate.

The I-7560/I-7560U is powered from the USB bus and no additional power supply is needed.

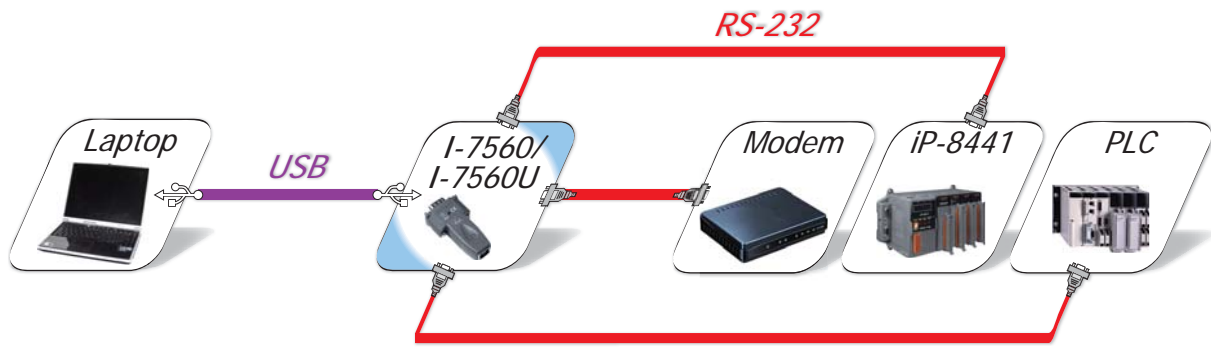
**Software**

I-7560 Driver	Windows 98/ME/2000/XP/Vista (32/64-bit)/7 (32/64-bit)/Linux
I-7560U Driver	Windows 98/ME/2000/XP/Vista (32/64-bit)/7 (32/64-bit)/8 (32/64-bit)/8.1 (32/64-bit)/Linux

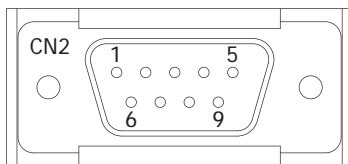
**System Specifications**

Models	I-7560	I-7560U
<b>Interface</b>		
USB	Fully Compliant with the USB 1.1/2.0/3.0	
RS-232	TxD, RxD, RTS, CTS, DSR, DTR, DCD, RI and GND; non-isolated	
Speed	300 ~ 115200 bps	300 ~ 921.6 kbps
Connector	RS-232	9-Pin Male D-Sub
	USB	Type B
Cable Included	CA-USB18 (1.8 m Cable) x 1	
<b>LED Indicators</b>		
Power	Yes	
<b>Power</b>		
Input Voltage Range	+5 V <sub>oc</sub> from USB	
Power Consumption	0.3 W	
<b>Mechanical</b>		
Casing	Plastic	
Flammability	Fire-Retardant Materials (UL94-V0 Level)	
Dimensions (W x H x D)	33 mm x 60 mm x 15 mm	
<b>Environment</b>		
Operating Temperature	-25 °C ~ +75 °C	
Storage Temperature	-30 °C ~ +75 °C	
Humidity	10 ~ 90% RH, non-condensing	

## Applications

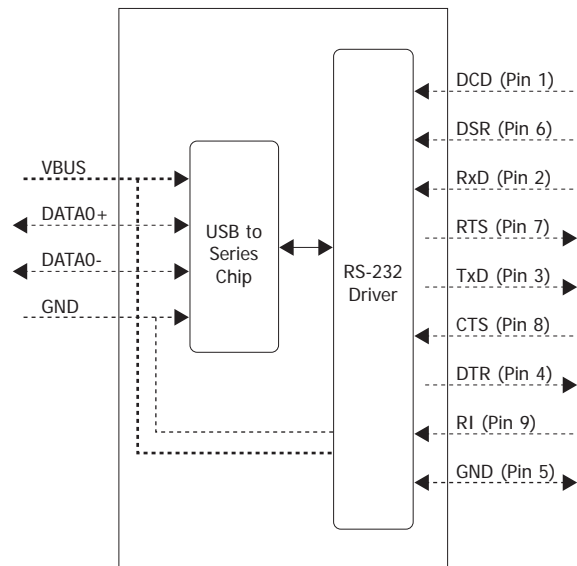


## Pin Assignments

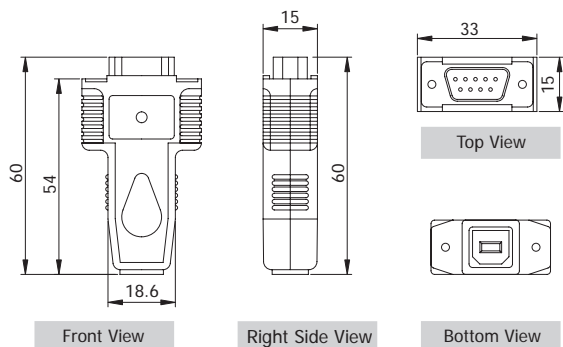


Pin	Signal	Mode
01	DCD Data Carrier Detect	Input
02	RxD Receive Data	Input
03	TxD Transmit Data	Output
04	DTR Data Term Ready	Output
05	GND Ground	--
06	DSR Data Set Ready	Input
07	RTS Request To Send	Output
08	CTS Clear To Send	Input
09	RI Ring Indicator	Input

## Internal I/O Structure



## Dimensions (Unit: mm)



## Ordering Information

I-7560 CR	USB to RS-232 Converter (RoHS)
I-7560U CR	USB to RS-232 Converter (RoHS)

## Accessories

<b>USB-2560 CR</b> Industrial 4-port USB 2.0 Hub	<b>CA-USB18</b> USB Type A to Type B Cable
---	---

