



CAN Series Products



Industrial 4-port CAN bus Switch with Metal casing



I-5534-M



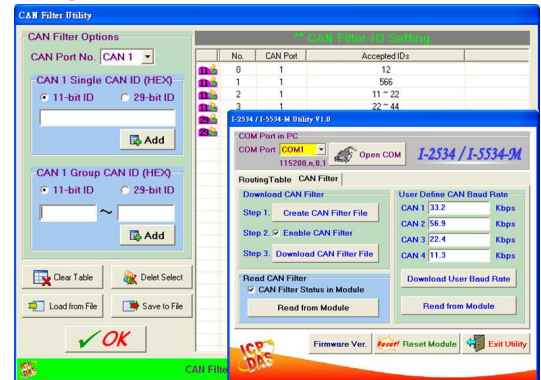
View

The I-5534-M is one kind of CAN bus switch. There are four independent CAN channels which offer a flexible design of the start or tree network topology. This new topology could resolve the complex CAN bus application, like industrial machinery, building automation, vehicle automation, and etc. Furthermore the I-5534-M integrates and exchanges data between different CAN network which has different baud rate. It helps users to extend the CAN network system. The I-5534-M could increase the maximum CAN node count in a CAN network by splitting the CAN network into several subnets. In additional, the user-defined CAN baud rate and CAN filter configuration are also supported.

Features

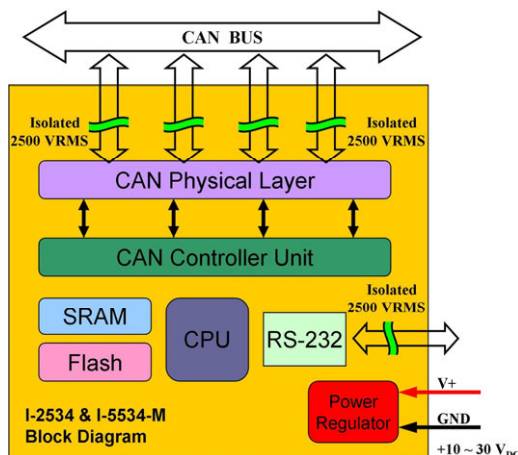
- 4 CAN communication ports
- Compatible with CAN specification 2.0A and 2.0B
- Fully compatible with the ISO 11898-2 standard
- Baud rate : 5 k, 10 k, 20 k, 33.3 k, 50 k, 62.5 k, 83.3 k, 125 k, 250 k, 500 k, 800 k, 1 M bps and customized.
- CAN bus filter is configurable
- 100 data frames buffer for each CAN channel
- Max data flow up to 2500 fps for all CAN channel
- Selectable baud rate by rotary switch
- Selectable 120Ω terminator resistor by Jumper
- LED for CAN status

Utility Features

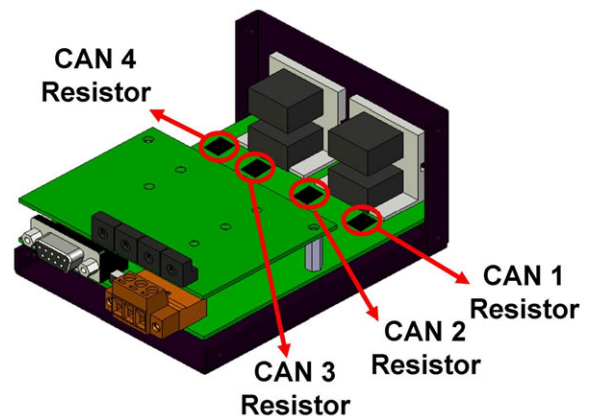


This utility configures the CAN filter and user-defined CAN baud rate. It can save the CAN filter configuration as file and will be imported to another I-2534 or I-5534-M.

Block Diagram



CAN Terminal Resistor

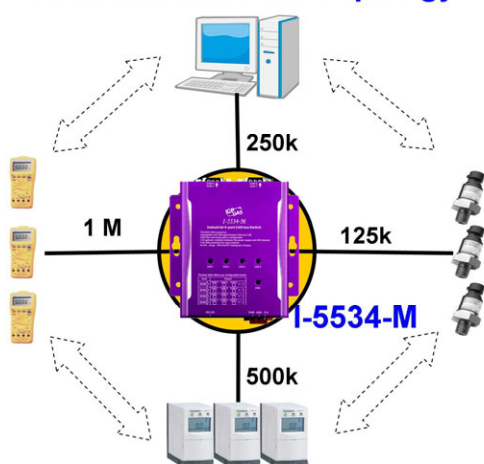


Hardware Specifications

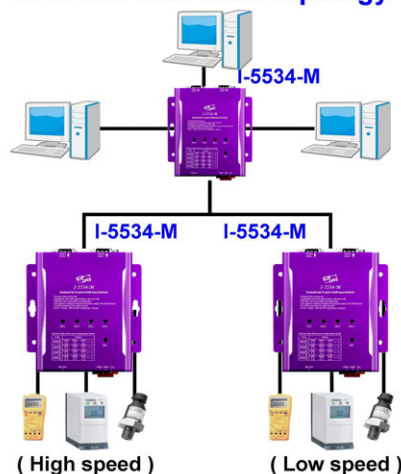
Hardware	
Controller	High Performance Microcontroller
RTC (Real Time Clock)	No
Watchdog	Watchdog IC
ESD Protection	4 kV Contact for each channel
CAN Interface	
Transceiver	NXP TJA1042
Channel number	4
CAN Specification	ISO-11898-2, CAN 2.0A and CAN 2.0B
CAN Connector	9-pin male D-Sub with CAN_GND, CAN_SHLD, CAN_H, CAN_L
Baud Rate (bps)	5k, 10 k, 20 k, 33.3 k, 50 k, 62.5 k, 83.3 k, 125 k, 250 k, 500 k, 800 k, 1 M bps and customized.
Baud Rate Selection	Selectable by rotary switch
Isolation	3000 V _{DC} for DC-to-DC, 2500 Vrms for photo-couple
Terminator Resistor	Selectable 120Ω terminator resistor by Jumper.
Transmission Distance (m)	Depend on baud rate (for example, max. 1000 m at 50 kbps)
CAN Filter	Configurable by user
UART Interface	
RS-232	1 port (for configuration)
RS-232 Connector	3-pin screwed terminal block (TxD, RxD, GND)
LED	
Round LED	CAN status LED x 4 , Power LED x 1
Power	
Input range	Unregulated +10 ~ +30 V _{DC}
Power Consumption	1.5W
Mechanism	
Installation	Wall-Mounting
Casing	Aluminum metallic case
Dimensions	116.5 x 127 x 61.3 mm (W x L x H)
Environment	
Operating Temp.	-25 ~ 75 °C
Storage Temp.	-30 ~ 80 °C
Humidity	10 ~ 90% RH, non-condensing

Application

CAN bus with Star Topology



CAN bus with Tree Topology



Ordering Information

I-5534-M

Industrial 4-port CAN bus Switch with Metal casing