



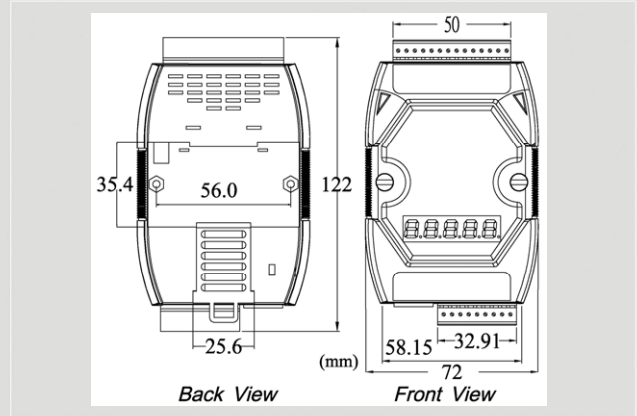
J1939 Series Products



J1939 to Modbus TCP Server / RTU Slave Gateway



GW-7238D

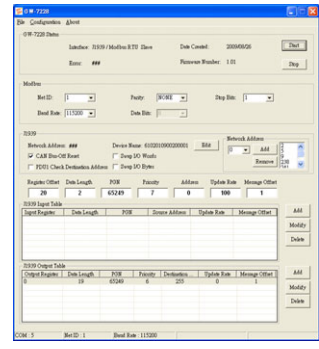


Dimensions

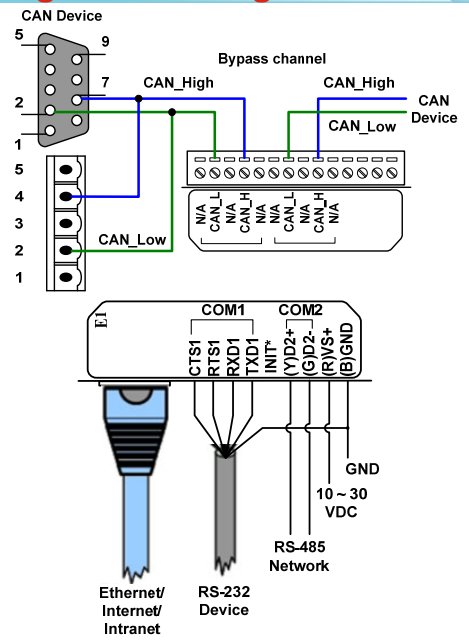
The GW-7238D is a gateway that provides conversion between J1939 and Modbus TCP/RTU protocol. For J1939 network, the GW-7238D supports PDU1, PDU2, broadcast and destination specific type of J1939 messages. For Modbus TCP/RTU network, the GW-7238D is a Modbus TCP server / RTU slave to reply the request from Modbus TCP client / RTU master. Utility software is provided for users to configure J1939 and Modbus TCP/RTU setting in the GW-7238D. The application fields can be Diesel power-train applications, In-Vehicle networks for trucks and buses, etc.

Features

- Provides PWR / J1939 / MODBUS indication LEDs
- Built-in jumper to select 120 ohm terminal resistor
- Watchdog inside
- Transmission and reception of all types of J1939 messages, including PDU1, PDU2, broadcast and destination specific
- J1939 Transport Protocol for transmission and reception of large messages (9 - 1785 bytes)
- Supports BAM of Connection Management Message
- Network addresses management
- Supports RS-232, RS-485 and Ethernet interfaces
- Configurable baud rates of 2400, 4800, 9600, 19200, 38400, 57600, 115200 bps
- Supports Modbus TCP server / RTU slave protocol
- Configurable for Modbus Network ID (1~250)
- Allows 5 Modbus/TCP clients' simultaneous accesses
- Supports Function Code 03 / 04 / 06 / 16 of Modbus functions for reading and writing J1939 Messages



Wiring and Pin Assignments



Utility Features

- Provides Modbus network configuration interface
- Provides J1939 network configuration interface – Network Address / Device Name...
- Provides J1939 Input / Output configuration interface



