

## Features

- Built-in Web Server
- Web HMI
- Support for both Modbus TCP and Modbus UDP Protocols
- Communication Security
- 2-port Ethernet Switch for Daisy-Chain Topology
- Dual Watchdog
- Wide Operating Temperature Range: -25 ~ +75°C
- I/O Pair Connection
- Built-in I/O
  - Power Relay: 8 Channels



## Introduction

The ET-7067/PET-7067/ET-7267/PET-7267 provides 8 form A electromechanical relays. It features optical isolation for 3000 Vdc of transient overvoltage protection and doesn't have channel-to-channel isolation. The power-on value and safe value of relay are programmable. It can safely be used in applications where hazardous voltages are present.

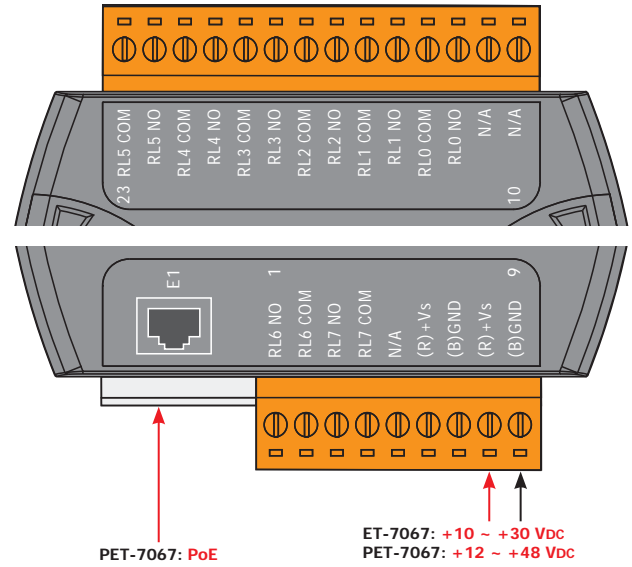
## System Specifications

| Models                      | ET-7067  | PET-7067                  | ET-7267                                 | PET-7267                  |
|-----------------------------|--|---------------------------|---|---------------------------|
| <b>Software</b>             |  |                           |   |                           |
| Built-in Web Server         |  |                           | Yes                                     |                           |
| Web HMI                     |  |                           | Yes                                     |                           |
| I/O Pair Connection         |  |                           | Yes                                     |                           |
| <b>Communication</b>        |  |                           |   |                           |
| Ethernet Port               | 1 x RJ-45, 10/100 Base-TX                                      |                           | 2 x RJ-45, 10/100 Base-TX, Switch Ports |                           |
| PoE                         | -  | Yes                       | -                                       | Yes                       |
| Protocol                    | Modbus TCP, Modbus UDP   |                           |   |                           |
| Security                    | ID, Password and IP Filter                                     |                           |   |                           |
| Dual Watchdog               | Yes, Module (0.8 seconds), Communication (Programmable)        |                           |   |                           |
| <b>LED Indicators</b>       |  |                           |   |                           |
| for System Running          |  |                           | Yes                                     |                           |
| for Ethernet Link/Act       |  |                           | Yes                                     |                           |
| for DI/DO status            | -  | -                         | Yes                                     | -                         |
| for PoE Power               | -  | Yes                       | -                                       | Yes                       |
| <b>2-Way Isolation</b>      |  |                           |   |                           |
| Ethernet                    | 1500 Vdc   | -                         | 1500 Vdc                                | -                         |
| I/O                         | 3000 Vdc   |                           |   |                           |
| <b>EMS Protection</b>       |  |                           |   |                           |
| ESD (IEC 61000-4-2)         | ±4 kV Contact for Each Terminal and ±8 kV Air for Random Point |                           |   |                           |
| EFT (IEC 61000-4-4)         | ±2 kV for Power Line   |                           | ±4 kV for Power Line                    |                           |
| Surge (IEC 61000-4-5)       | ±0.5 kV for Power Line   |                           | ±2 kV for Power Line                    |                           |
| <b>Power</b>                |  |                           |   |                           |
| Reverse Polarity Protection | Yes  |                           |   |                           |
| Powered from Terminal Block | 10 ~ 30 Vdc  | 12 ~ 48 Vdc               | 12 ~ 48 Vdc                             | 12 ~ 48 Vdc               |
| Powered from PoE            | -  | Yes, IEEE 802.3af, Class1 | -                                       | Yes, IEEE 802.3af, Class1 |
| Consumption                 | 3.4 W (Max.)   | 3.3 W (Max.)              | 3.9 W (Max.)                            | 4.1 W (Max.)              |
| <b>Mechanical</b>           |  |                           |   |                           |
| Dimensions (L x W x H)      | 123 mm x 72 mm x 35 mm   |                           | 120 mm x 76 mm x 38 mm                  |                           |
| Installation                | DIN-Rail or Wall Mounting                                      |                           |   |                           |
| <b>Environment</b>          |  |                           |   |                           |
| Operating Temperature       | -25 ~ +75°C  |                           |   |                           |
| Storage Temperature         | -30 ~ +80°C  |                           |   |                           |
| Humidity                    | 10 ~ 90% RH, Non-condensing                                    |                           |   |                           |

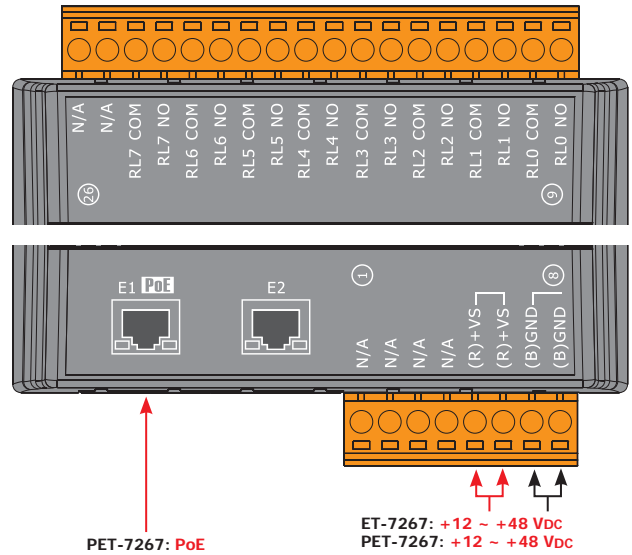
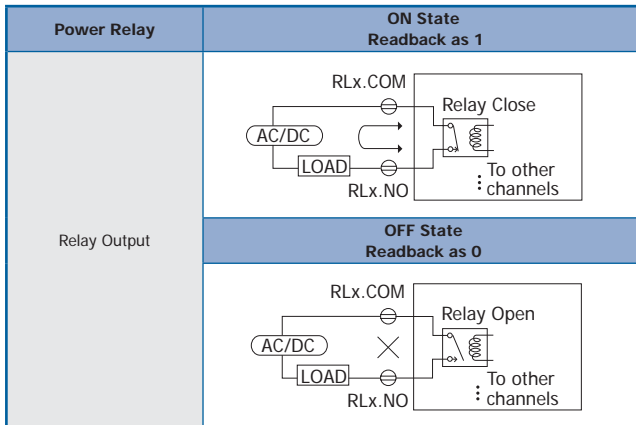
## I/O Specifications

| Power Relay          |                                       |
|----------------------|---------------------------------------|
| Channels             | 8                                     |
| Type                 | Power Relay, Form A (SPST N.O.)       |
| Contact Rating       | 5 A @ 250 VAC/24 Vdc (Resistive Load) |
| Min. Contact Load    | 10 mA @ 5 V                           |
| Operate Time         | 10 ms (max.)                          |
| Release Time         | 5 ms (max.)                           |
| Mechanical Endurance | 2 × 10 <sup>7</sup> ops.              |
| Electrical Endurance | 10 <sup>5</sup> ops.                  |
| Power-on Value       | Yes, Programmable                     |
| Safe Value           | Yes, Programmable                     |

## Pin Assignments



## Wire Connections



## Ordering Information

|             |   |
|-------------|---|
| ET-7067 CR  | Ethernet I/O Module with 8-channels Relay (RoHS)                                  |
| PET-7067 CR | PoE Ethernet I/O Module with 8-channels Relay (RoHS)                              |
| ET-7267 CR  | Ethernet I/O Module with 2-port Ethernet Switch, with 8-channels Relay (RoHS)     |
| PET-7267 CR | PoE Ethernet I/O Module with 2-port Ethernet Switch, with 8-channels Relay (RoHS) |