



Features

- On the fly processing: EtherCAT
- Powerful MCU handles efficient network traffic
- 2 x RJ-45 bus interface
- Distance between stations up to 100 m (100 BASE-TX)
- Support daisy chain connection
- EtherCAT conformance test tool verified
- Removable terminal block connector
- LED indicators for the output status
- Built-In isolated 32-ch digital outputs
- RoHS compliant
- ESD Protection 4 KV Contact for each channel

Introduction

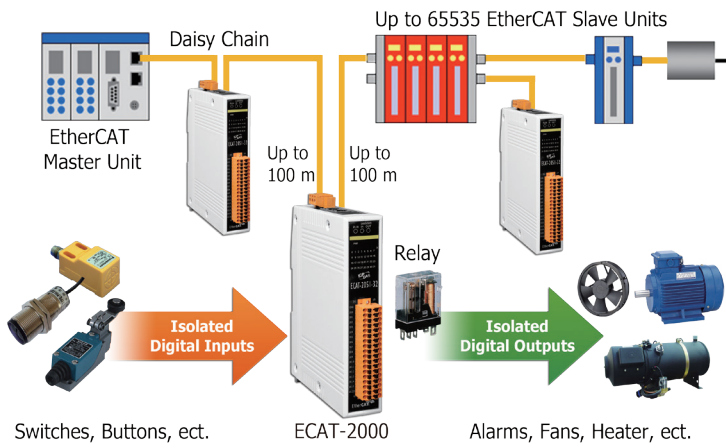
The ECAT-2045-32 is an industrial slave I/O module built in 32 digital outputs. It is equipped with the EtherCAT* protocol and installed by daisy chain connection that provides a more scalable system with fewer wires. Users can obtain the input and output status not only via the process data but also from its LED indicators. The ECAT-2045-32 has passed and verified by the conformance test tool, therefore eligible EtherCAT Master or configurator can manipulate it simply and implement your various applications easily.

* EtherCAT® is registered trademark and patented technology, licensed by Beckhoff Automation GmbH, Germany.

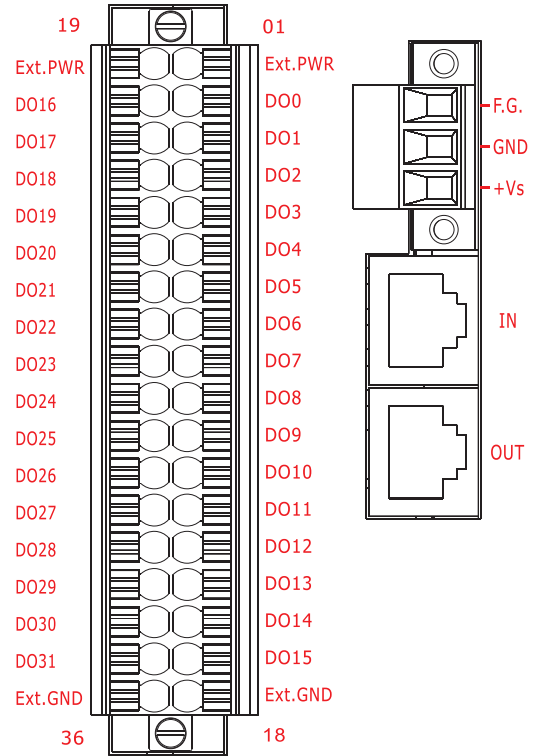
Hardware Specifications

Model	ECAT-2045-32
Digital Output	
Channels	32
Output Type	Open Collector (Sink)
Load Voltage	3.5 ~ 50 V
Max. Load Current	500 mA per channel
Isolation Voltage	3750 Vdc
Communication Interface	
Connector	2 x RJ-45
Protocol	EtherCAT
Distance between Stations	Max. 100 m (100 BASE-TX)
Data Transfer Medium	Ethernet/EtherCAT Cable (Min. CAT 5), Shielded
EMS Protection	
ESD (IEC 61000-4-2)	±4 kV Contact for Each Terminal
EFT (IEC 61000-4-4)	Signal: 1 KV Class A; Power: 1 KV Class A
Surge (IEC 61000-4-5)	1 KV Class A
Power	
Input Voltage Range	10 ~ 30 Vdc
Power Consumption	4 W Max.
Mechanical	
Dimensions (H x W x D)	140 mm x 112.2 mm x 31 mm
Installation	DIN-Rail Mounting
Case Material	UL 94V-0 Housing
Environment	
Operating Temperature	-25 ~ +75°C
Storage Temperature	-30 ~ +80°C
Relative Humidity	10 ~ 90% RH, Non-condensing

Applications



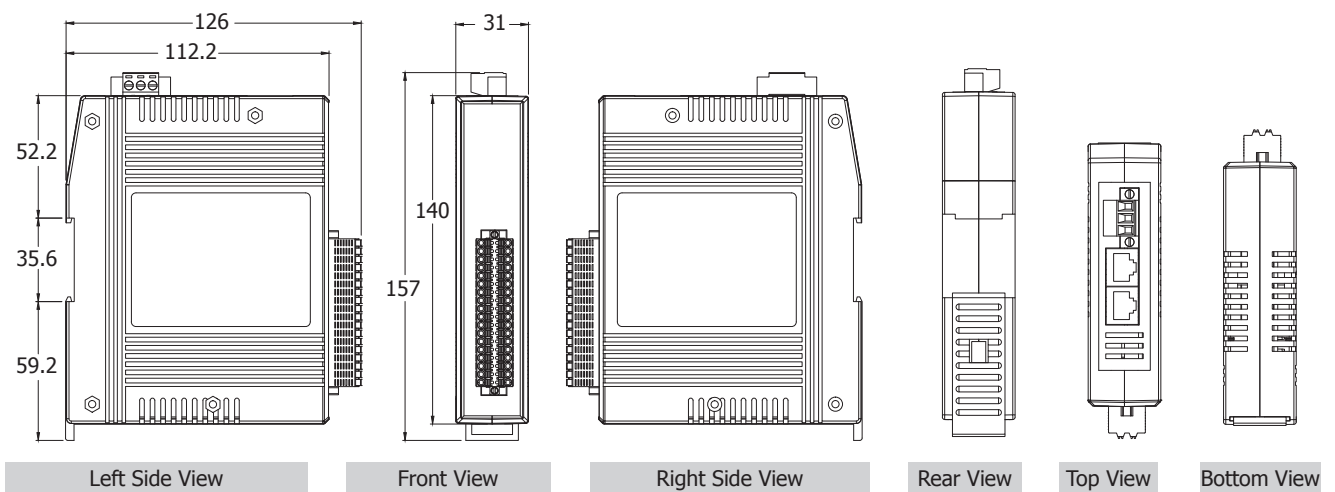
Pin Assignments



Wire Connections

Output Type	ON State Readback as 1	OFF State Readback as 0
Drive Relay		
Resistance Load		

Dimensions (Units: mm)



Ordering Information

ECAT-2045-32 CR	EtherCAT Slave I/O Module with Isolated 32-ch Digital Outputs (RoHS)
------------------------	--