

# EBC-3200

Embedded Chassis for IEI Single Voltage Mini-ITX SBC



## Features

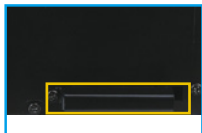
- Designed for Mini-ITX SBC with single voltage input
- Flexible storage with CF or 2.5" HDD (optional)
- One PCI or PCIe expansion slot (optional)

Flexible design with five optional modules for storage and expansion slot



### Flexible storage by optional modules

2 x Internal 2.5" HDD bays (default)



1 x Internal 2.5" HDD bay  
1 x CF slot



1 x Expansion slot (PCI/PCIe)  
1 x Internal 2.5" HDD bay



1 x Expansion slot (PCI/PCIe)  
1 x CF slot

## Specifications

Model Name		EBC-3200
Platform		Case only
Chassis	Color	Black
	Dimensions (WxDxH) (mm)	260 x 180 x 55
	System Fan (WxDxH) (mm)	2, 40 x 40 x 10
Motherboard	Motherboard Model	Refer to KINO Series
	SBC Size (mm)	Mini-ITX (170 x 170)
Storage	Hard Drive	2 x 2.5" HDD bays (default) Varies by optional modules
Expansions	PCI/PCIe	1 x Low profile PCI/PCIe (support by optional modules) Max. dimensions: 147 mm (L) x 10.5 mm (D)
Buttons		Power switch Reset
Indicators		Power LED Error LED
Reliability	Mounting	Desktop, wall mount, VESA mount
	Operating Temperature	-10°C ~ 50°C with air flow*
	Weight (Net/Gross)	1.1 kg/2 kg

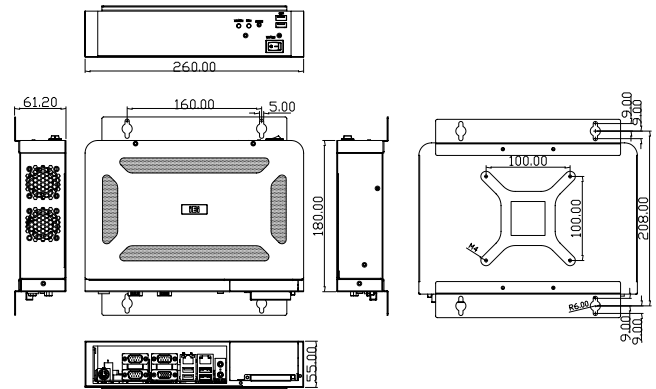
(\*Ambient air speed follows IEC-68-2-2 standard)

## Compatible SBC

Part No.	Expansion Type	Recommended CPU Cooler
tKINO-BW	1 x PCIe x1	Fanless
KINO-DQM170	1 x PCIe x16	19100-000203-00-RS
KINO-DH810	1 x PCIe x1	CF-1156A-RS, CF-1156C-RS, CF-1156D-RS
KINO-DBT	1 x PCIe x4	Fanless
eKINO-BT	1 x PCIe x1	Fanless
KINO-DA750-I2	N/A	CF-989B-RS
KINO-KBN/SE-I2	1 x PCIe x4	GX-424CC & GX415GA with fan
KINO-DQM871-I1	1 x PCIe x16	19100-000203-00-RS
KINO-DH610	1 x PCI 1 x PCIe x1	CF-1156A-RS, CF-1156C-RS, CF-1156D-RS
KINO-QM770	1 x PCIe x16	CF-989A-RS
KINO-QM670	1 x PCIe x16	CF-989A-RS
KINO-QM57A	1 x PCIe x16	CF-989A-RS, CF-989B-RS
KINO-HM551	1 x PCIe x16	CF-989A-RS

Optional Modules	
Part No.	Description
EBCKIT-01-R10/PCI-HDD	EBC-3200 optional module with one PCI slot and one 2.5" HDD bay, RoHS
EBCKIT-02-R10/PCIe-HDD	EBC-3200 optional module with one PCIe x1 slot and one 2.5" HDD bay, RoHS (For KINO-PV-D4252/D5252 only)
EBCKIT-03-R10/PCI-CF	EBC-3200 optional module with one PCI slot and one CompactFlash® slot, RoHS
EBCKIT-06-R10/PCIe16-HDD	EBC-3200 optional module with one PCIe x16 slot and one 2.5" HDD bay, RoHS

## Dimensions (Unit: mm)



## Ordering Information

Part No.	Description
EBC-3200-R10	Mini-ITX embedded chassis, compatible two 2.5" HDD, w/o power adapter, black, RoHS

## Options

Part No.	Description
32000-000002-RS	European standard power cord, 1830mm
32000-000025-RS	American standard power cord, 1830mm
63040-010060-110-RS	Power adapter, FSP060-DIBAN2, 90 V~264 V AC, 12 V DC, 60W, Din 4-pin/lock, Erp, RoHS
19FR124010BL-000002-RS	Fan module, 40x40x10mm, CCL, RoHS

## Packing List

1 x QIG	2 x Wall mount brackets	1 x Screw set
---------	-------------------------	---------------