

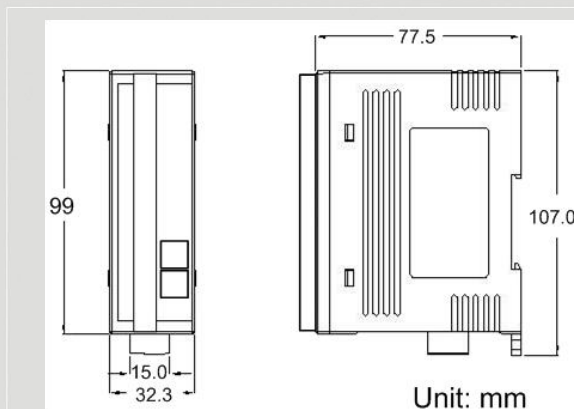


# DeviceNet Series Products

## 8-channel Analog Input Module of DeviceNet Slave



**CAN-2017D**



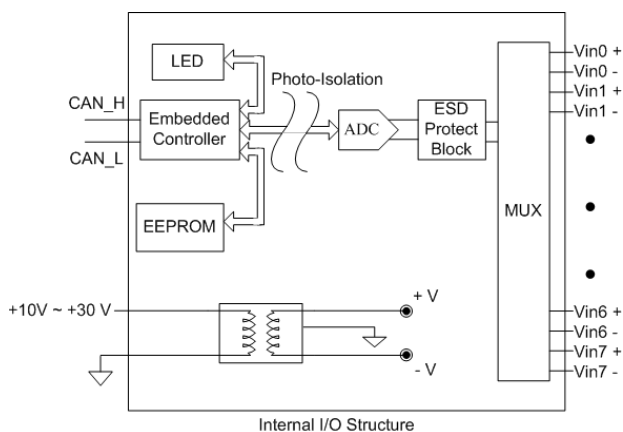
**Dimensions**

The CAN-2017D follows DeviceNet specification Volume I/II, Release 2.0. User can access the analog input status and set the configuration via DeviceNet EDS file. This module has 8 differential analog input channels. By the DeviceNet masters of ICP DAS, you can quickly build a DeviceNet network to approach your requirements.

### Features

- DeviceNet general I/O slave devices
- Comply with DeviceNet specification Volume I, Release 2.0 & Volume II, Release 2.0, Errata 5
- Group 2 Only Server (non UCMM-capable)
- Support Predefined Master/Slave Connection Set
- Connection supported:
  - 1 connection for Explicit Messaging
  - 1 connection for Polled I/O
  - 1 connection for Bit-Strobe I/O connection
- Support DeviceNet heartbeat and shutdown messages
- Provide EDS file for DeviceNet master interface

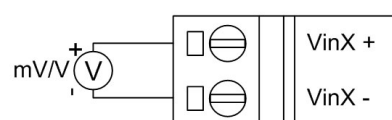
### Internal I/O Structure



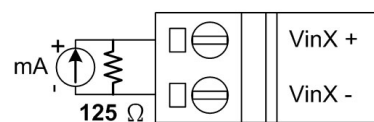
### I/O Pin & Wire Connection

| Terminal No. | Pin Assignment |
|--------------|----------------|
| 01           | Vin 0 +        |
| 02           | Vin 0 -        |
| 03           | Vin 1 +        |
| 04           | Vin 1 -        |
| 05           | Vin 2 +        |
| 06           | Vin 2 -        |
| 07           | Vin 3 +        |
| 08           | Vin 3 -        |
| 09           | Vin 4 +        |
| 10           | Vin 4 -        |
| 11           | Vin 5 +        |
| 12           | Vin 5 -        |
| 13           | Vin 6 +        |
| 14           | Vin 6 -        |
| 15           | Vin 7 +        |
| 16           | Vin 7 -        |
| 17           | N/A            |
| 18           | N/A            |
| 19           | N/A            |
| 20           | N/A            |

#### Voltage Input Wiring

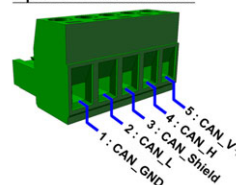


#### Current Input Wiring



### CAN Pin & Baud Rate Rotary

5-pin screw terminal block



Baud rate rotary switch

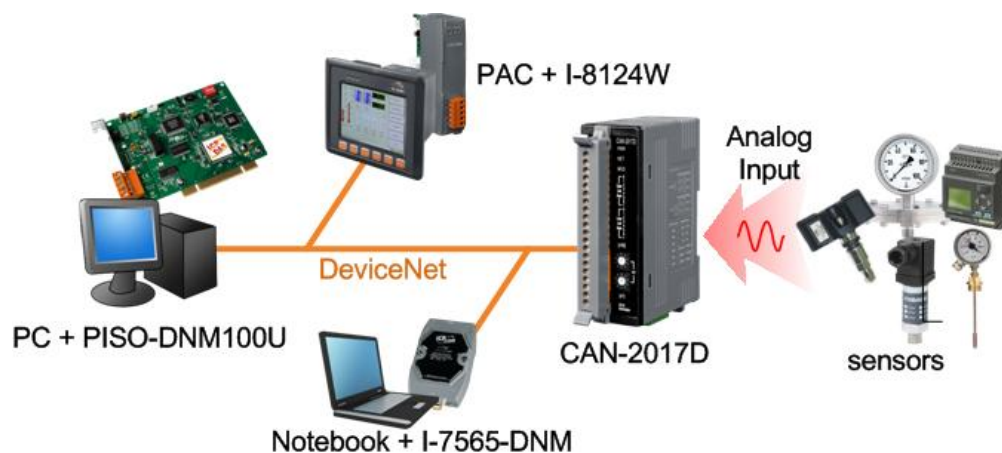
| Switch Value | Baud Rate |
|--------------|-----------|
| 0            | 125 kbps  |
| 1            | 250 kbps  |
| 2            | 500 kbps  |



## Hardware Specifications

| CAN Interface              |   |
|----------------------------|---|
| DeviceNet Specification    | Volume I, Release 2.0 & Volume II, Release 2.0, Errata 5  |
| DeviceNet subscribe        | Group 2 Only Server   |
| Connection supported       | 1 connection for Explicit Messaging<br>1 connection for Polled I/O<br>1 connection for Bit-Strobe I/O |
| Node ID                    | 0~63 selected by rotary switch  |
| Baud Rate (bps)            | 125 kbps, 250 kbps, 500 kbps  |
| Heartbeat/Shutdown message | Yes   |
| Terminator Resistor        | Switch for 120 Ω terminator resistor  |
| Analog Input               |   |
| Channels                   | 8 Differential  |
| Voltage Range              | +/-10 V, +/-5 V, +/-1 V, +/-500 mV, +/-150 mV   |
| Current Range              | -20 mA ~ +20 mA (Requires Optional External 125Ω Resistor)  |
| ESD Protection             | 4 kV Contact for each channel   |
| LED                        |   |
| Round LED                  | PWR LED, NET LED, MOD LED   |
| Terminal resister LED      | 1 LED as terminal resister indicator  |
| Alarm LED                  | 8 LEDs as over upper limit value indicator<br>8 LEDs as over lower limit value indicator              |
| Power                      |   |
| Input range                | Unregulated +10 ~ +30 V <sub>DC</sub>   |
| Power Consumption          | 2 W   |
| Mechanism                  |   |
| Installation               | DIN-Rail  |
| Dimensions                 | 32.3 mm x 99 mm x 77.5 mm (W x L x H)   |
| Environment                |   |
| Operating Temp.            | -25 ~ 75 °C   |
| Storage Temp.              | -30 ~ 80 °C   |
| Humidity                   | 10 ~ 90% RH, non-condensing   |

## Applications



## Ordering Information

**CAN-2017D**

DeviceNet module of 8-channel Differential Analog Input