

ARCHMI-9XX(P)



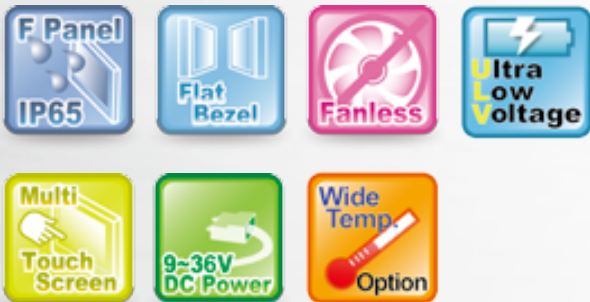
The Ultimate HMI Equipment

Powerful Graphics Enhanced Fanless HMI

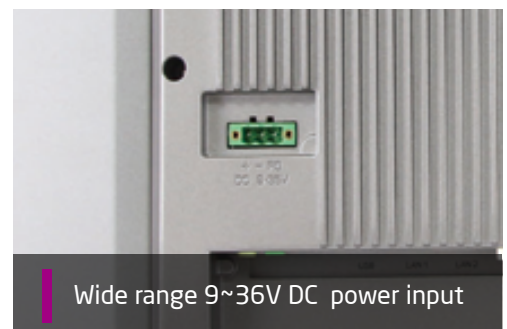
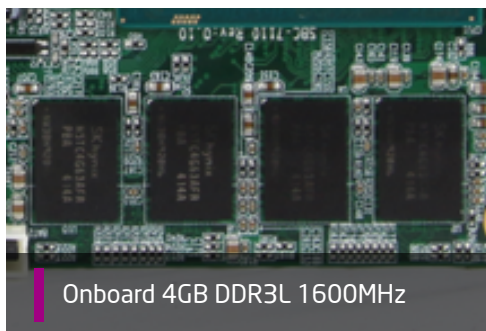
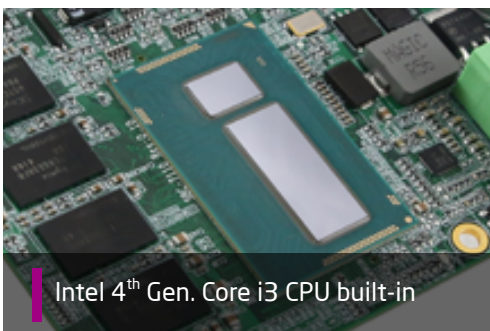
- ▶ Intel 4th Gen. Core i3 CPU Built-in
- ▶ Onboard 4GB DDR3L 1600MHz
- ▶ Aluminum Die-Casting Chassis Fanless Design
- ▶ Easily Accessible Storage Design
- ▶ Flat Front Panel Design Meets IP65 Standard

ICP Electronics
Australia Pty Ltd

TEL: 02 9457 6011
sales@icp-australia.com.au
www.icp-australia.com.au



Features



ARCHMI-915(P)/916(P)

Powerful Graphics Enhanced Fanless HMI



Specifications

| Model No. | ARCHMI-915(P) | ARCHMI-916(P) |
|---|---|--------------------|
| System | | |
| Processor | Intel Core i 4th Gen. Haswell Core i3 CPU Processor | |
| System chipset | SoC | |
| System memory | OnBoard 4GB DDR3L 1600MHz / 8GB(option) | |
| External I/O | | |
| USB | 2 x USB 3.0 type A | |
| Serial/Parallel | 1 x DB-9 RS-232/422/485, COM1, Default RS-232 1 x DB-9 RS-232, COM2 | |
| Audio | 1 x Phone Jack Line-out | |
| LAN | 2 x RJ-45 GbE | |
| Power | 3 Pins Terminal Block Connector DC Power Input, 1 x 2-Pin DC Power Switch Connector | |
| Storage Space | | |
| HDD | 1 x 2.5" SATA2 | |
| Movable device | 1 x SD slot | |
| Expansion | | |
| On board expansion bus | 1 x Internal Mini PCIe Slot (Full Size) | |
| Display | | |
| Display type | 15" TFT-LCD | 15.6" TFT-LCD |
| Max. resolution | 1024 x 768 | 1366 x 768 |
| Max. color | 262K | 16.7M |
| Luminance(cd/m ²) | 350 | 300 |
| View angle(H°/V°) | 160/145 | 160/160 |
| Backlight lifetime(hrs) | 50000 | 50000 |
| Touch Screen | | |
| Type | Resistive Touch Window / Projected Capacitive Touch(For P Model) | |
| Interface | USB | |
| Light transmission(%) | 80% For Resistive touch window / 90% For Projected Capacitive Touch | |
| Power | | |
| Power input | 9~36V DC | |
| Mechanical | | |
| Construction | Aluminum Die-casting Front Bezel and Chassis | |
| IP rating | IP65 Compliant Front Bezel | |
| Mounting | Panel Mounting, VESA 100 x 100 | |
| Dimension(mm) | 410 x 310 x 54.7 | 412 x 277.5 x 60.4 |
| Net weight(Kgs) | 4.4 | 4.8 |
| Environment | | |
| Operating temperature(°C) | 0~50 | |
| Storage temperature(°C) | -20~60 | |
| Storage humidity | 10% to 90% @40°C Non-condensing | |
| Certification | CE/FCC class A | |
| Operating System Support | | |
| Windows 7 pro for embedded, Windows embedded standard 7 | | |
| Windows 8 pro for embedded, Windows embedded standard 8 | | |

ICP Electronics
Australia Pty Ltd

TEL: 02 9457 6011
sales@icp-australia.com.au
www.icp-australia.com.au



Electronics Australia

ARCHMI-917(P)/918(P)/921(P)

Powerful Graphics Enhanced Fanless HMI



Specifications

| Model No. | ARCHMI-917(P) | ARCHMI-918(P) | ARCHMI-921(P) |
|--|---|----------------------|------------------|
| System | | | |
| Processor | Intel Core i 4th Gen. Haswell Core i3 CPU Processor | | |
| System chipset | SoC | | |
| System memory | OnBoard 4GB DDR3L 1600MHz / 8GB(option) | | |
| External I/O | | | |
| USB | 2 x USB 3.0 type A | | |
| Serial/Parallel | 1 x DB-9 RS-232/422/485, COM1, Default RS-232 1 x DB-9 RS-232, COM2 | | |
| Audio | 1 x Phone Jack Line-out | | |
| LAN | 2 x RJ-45 GbE | | |
| Power | 3 Pins Terminal Block Connector DC Power Input, 1 x 2-Pin DC Power Switch Connector | | |
| Storage Space | | | |
| HDD | 1 x 2.5" SATA2 | | |
| Movable device | 1 x SD slot | | |
| Expansion | | | |
| On board expansion bus | 1 x Internal Mini PCIe Slot (Full Size) | | |
| Display | | | |
| Display type | 17" TFT-LCD | 18.5" TFT-LCD | 21.5" TFT-LCD |
| Max. resolution | 1280 x 1024 | 1366 x 768 | 1920 x 1080 |
| Max. color | 16.7M | 16.7M | 16.7M |
| Luminance(cd/m ²) | 350 | 250 | 250 |
| View angle(H°/V°) | 160/170 | 160/170 | 178/178 |
| Backlight lifetime(hrs) | 30000 | 30000 | 30000 |
| Touch Screen | | | |
| Type | Resistive Touch Window / Projected Capacitive Touch(For P Model) | | |
| Interface | USB | | |
| Light transmission(%) | 80% For Resistive touch window / 90% For Projected Capacitive Touch | | |
| Power | | | |
| Power input | 9~36V DC | | |
| Mechanical | | | |
| Construction | Aluminum Die-casting Front Bezel and Chassis | | |
| IP rating | IP65 Compliant Front Bezel | | |
| Mounting | Panel Mounting, VESA 100 x 100 | | |
| Dimension(mm) | 439 x 348 x 64.8 | 499.6 x 314.6 x 59.9 | 557 x 362 x 64.8 |
| Net weight(Kgs) | 5.1 | 5.9 | 7.8 |
| Environment | | | |
| Operating temperature(°C) | 0~50 | | |
| Storage temperature(°C) | -20~60 | | |
| Storage humidity | 10% to 90% @40°C Non-condensing | | |
| Certification | CE/FCC class A | | |
| Operating System Support | | | |
| Windows 7 pro for embedded, Windows embedded standard 7 Windows 8 pro for embedded, Windows embedded standard 8 | | | |

ICP Electronics
Australia Pty Ltd

TEL: 02 9457 6011
sales@icp-australia.com.au
www.icp-australia.com.au

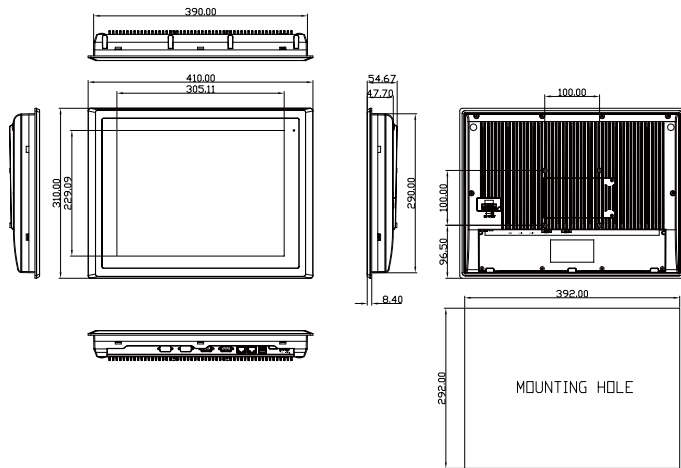


ARCHMI-915(P)/916(P)/917(P)

Powerful Graphics Enhanced Fanless HMI

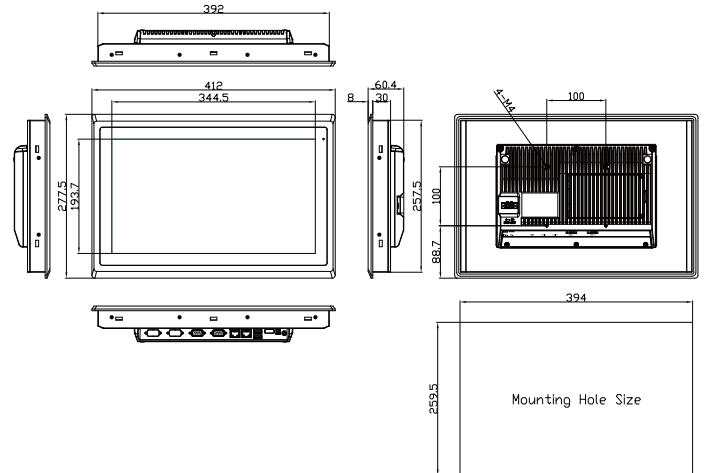
Dimensions

ARCHMI-915(P)



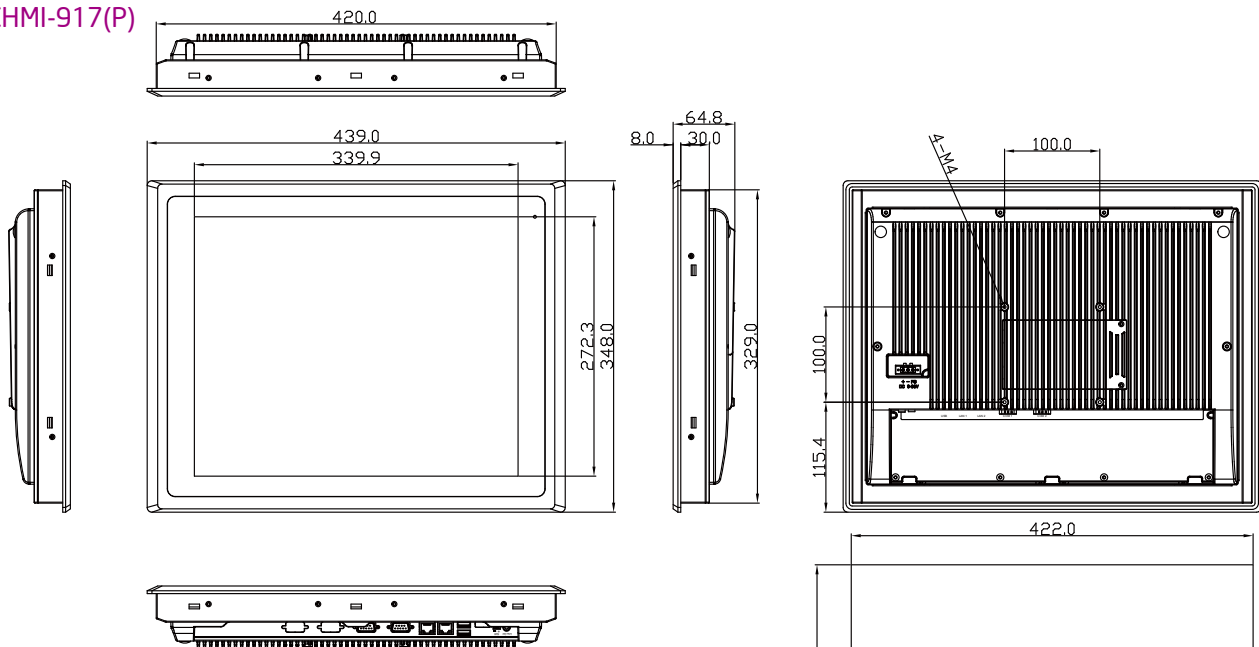
unit:mm

ARCHMI-916(P)



unit:mm

ARCHMI-917(P)



unit:mm

ICP Electronics
Australia Pty Ltd

TEL: 02 9457 6011
sales@icp-australia.com.au
www.icp-australia.com.au

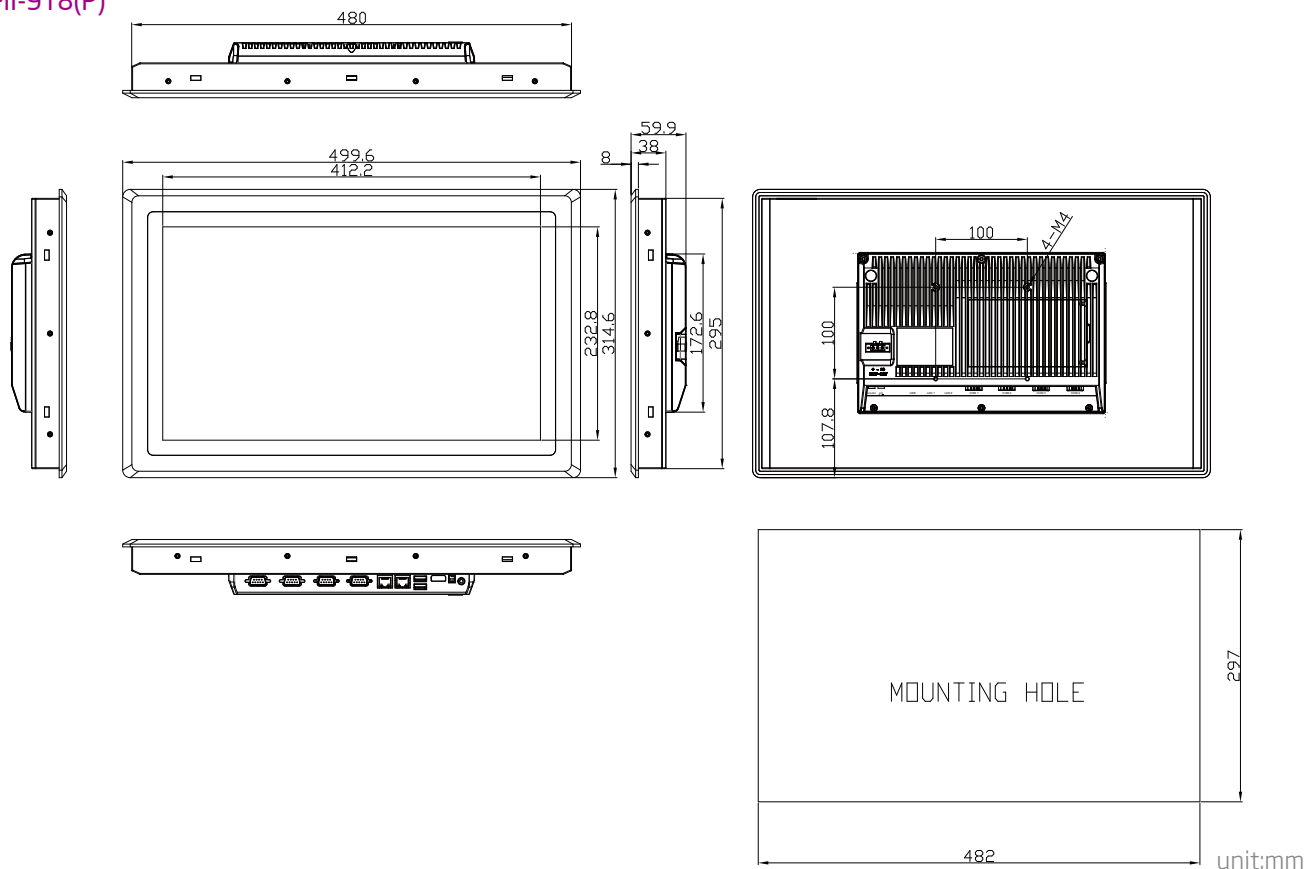


ARCHMI-918(P)/921(P)

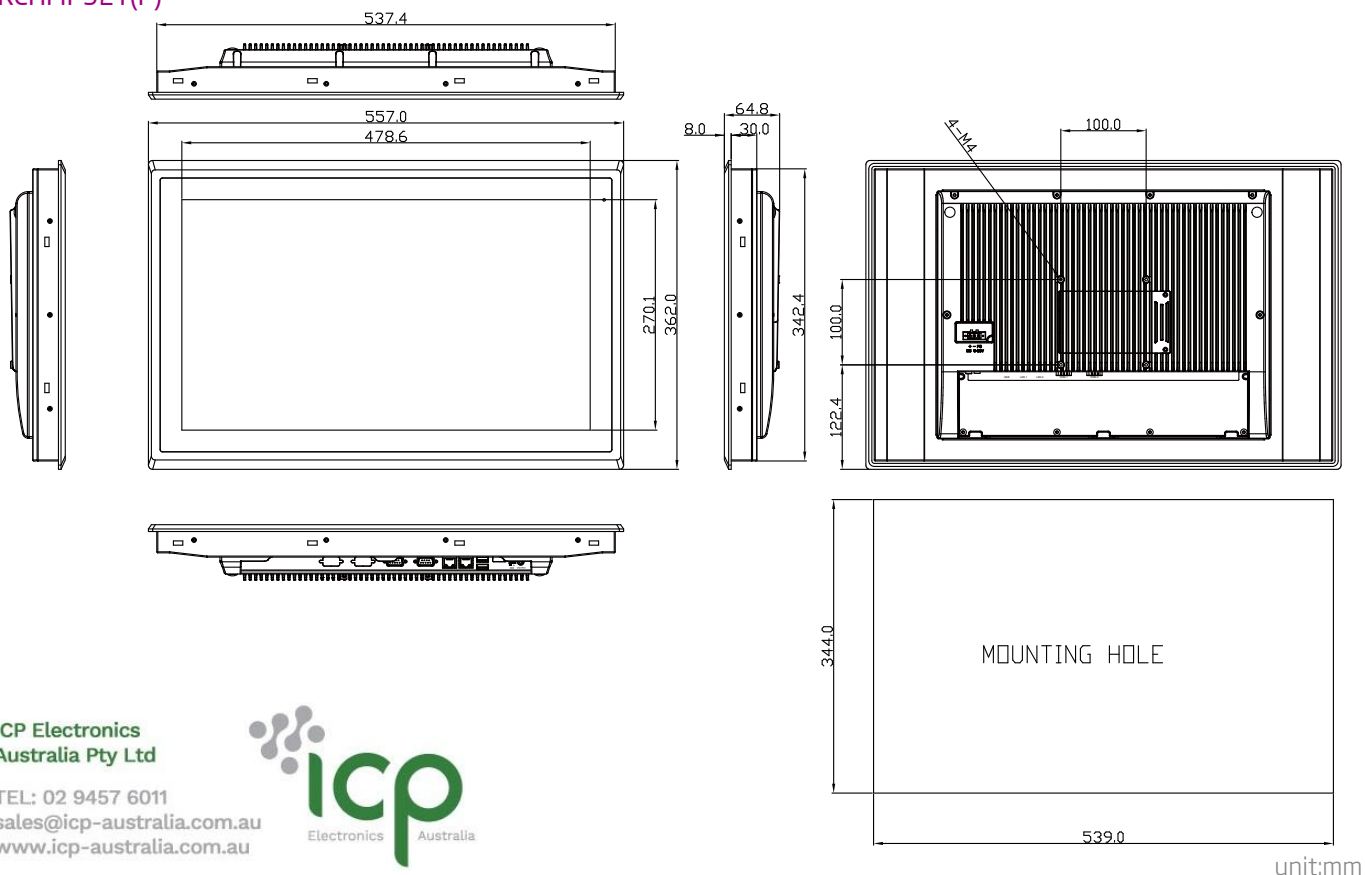
Powerful Graphics Enhanced Fanless HMI

Dimensions

ARCHMI-918(P)



ARCHMI-921(P)



ICP Electronics
Australia Pty Ltd

TEL: 02 9457 6011
sales@icp-australia.com.au
www.icp-australia.com.au

