

## Features

- 17" Industrial Compact Size Panel PC
- Flat front panel touch screen
- Fanless design
- Intel Celeron N2930(1.83GHz) CPU built-in
- Onboard 4GB DDR3L 1333 MHz/8GB(option)
- Wide range DC 9~36V power input
- IP66 compliant front panel
- Optional projected capacitive touch screen support 7H anti-scratch surface
- High brightness 1,000nits LCD for ARCHMI-817(P)H
- Optical bonding for option
- Auto dimming for option for ARCHMI-817(P)H



## Specifications

| System          |   |
|-----------------|---|
| CPU             | Onboard Intel Celeron N2930(1.83GHz) Processor  |
| System Chipset  | SoC   |
| Memory          | Onboard 4GB DDR 3L 1333 MHz/8GB(option)   |
| IO Port         |   |
| USB             | 2 x USB 3.0 type A  |
| Serial/Parallel | 1 x RS-232 DB-9, COM2<br>1 x RS-232/422/485 DB-9, COM1, default RS-232  |
| Audio           | 1 x Audio Line Out  |
| LAN             | 2 x GbE LAN RJ-45 with Intel 82574L controller  |
| Power           | 1 x 3-pin DC power input terminal<br>1 x 2-pin connector for power on/off button  |
| Option          | 2 x RS-232 DB-9 + 1 x Mini-PCIe slot via TB-528C2ME1<br>2 x CAN bus via TB-528CAN2<br>2 x USB 2.0 type A Via TB-528U2<br>2 x USB 2.0 type A + 1 x RS-232 DB-9 + 1 x Power button via TB-528C1U2P1<br>UPS Battery 21W/10.8V/1.95Ah(3S1P) |

| Storage Space  |  |
|----------------|--|
| HDD            | 1 x SATA 2.5" HDD bay for SATA HDD (easy accessible) |
| movable device | 1 x SD card slot, up to 32GB                         |

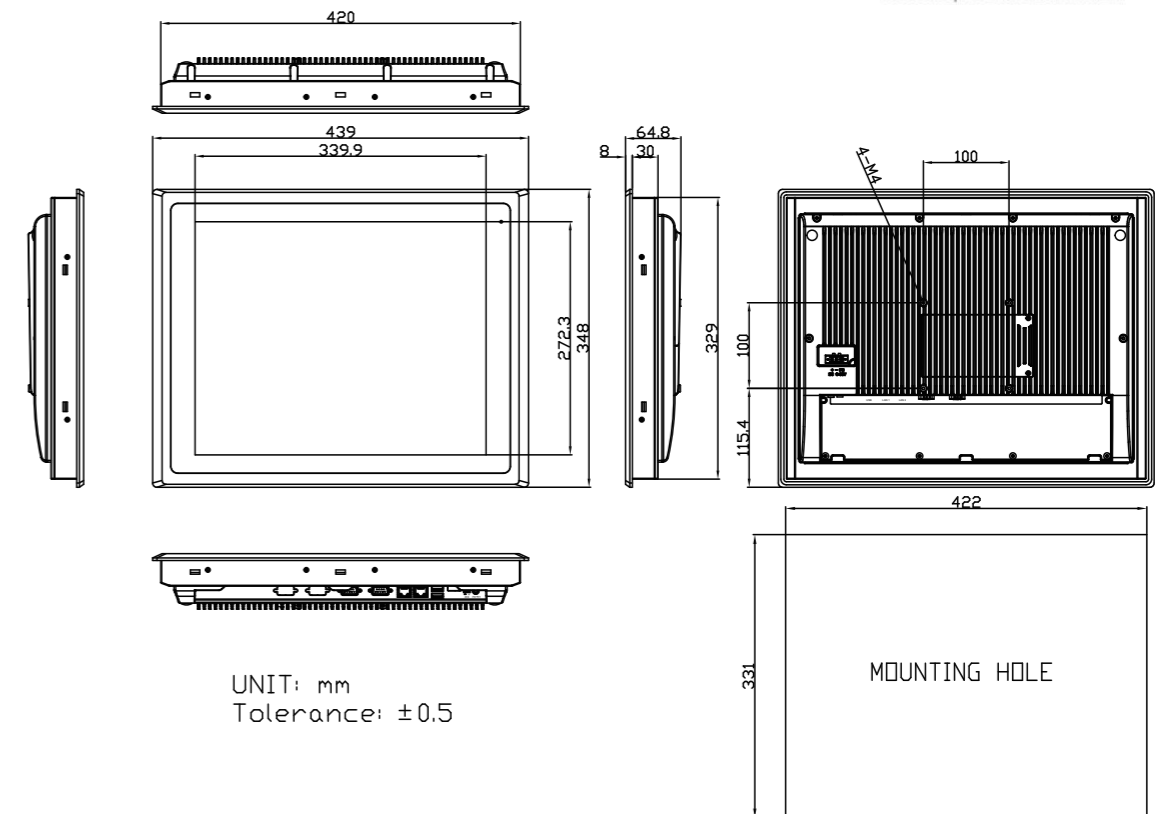
| Expansion      |                                       |
|----------------|---------------------------------------|
| Expansion Slot | 1 x Internal Mini-PCIe slot full size |

| Display                        | ARCHMI-817(P)   | ARCHMI-817(P)H  |
|--------------------------------|-----------------|-----------------|
| Display Type                   | 17" TFT-LCD     | 17" TFT-LCD     |
| Max. Resolution                | 1280 x 1024     | 1280 x 1024     |
| Max. Color                     | 16.2M           | 16.7M           |
| Luminance (cd/m <sup>2</sup> ) | 350             | 1000            |
| Viewing Angle                  | 170(H) / 160(V) | 170(H) / 160(V) |
| Contrast Ratio                 | 1000 : 1        | 1000 : 1        |
| Backlight Lifetime             | 30,000 Hrs      | 50,000 Hrs      |

| Touch Screen          |  |
|-----------------------|--|
| Type                  | Resistive Touch Window<br>Projected Capacitive Touch (For P Model)       |
| Interface             | USB  |
| Light Transmission(%) | Resistive Touch Window: over 80%<br>Projected Capacitive Touch: over 90% |

| Power             |  |
|-------------------|--|
| Power Input       | DC 9~36V   |
| Power Consumption | ARCHMI-817: MAX: 22.1W / ARCHMI-817P: MAX: 20.5W<br>ARCHMI-817H: MAX: TBD / ARCHMI-817PH: MAX: TBD |

## Dimensions



| Mechanical   |  |
|--------------|--|
| Color        | RAL 9007                                     |
| Construction | Aluminum Die-casting Front Bezel and Chassis |
| Mounting     | Panel Mounting, VESA 100 x 100               |
| IP Rating    | IP66 compliant front bezel                   |
| Dimensions   | 439 x 348 x 64.8 mm                          |
| Net Weight   | ARCHMI-817(P): 6 Kg<br>ARCHMI-817(P)H: TBD   |

| Environmental         |                                 |
|-----------------------|---------------------------------|
| Operating Temperature | 0~50°C                          |
| Storage Temperature   | -20~60°C                        |
| Storage Humidity      | 10 to 90%@ 40°C, non-condensing |
| Certificate           | CE / FCC CLASS A / UL           |

| Operating System Support   |  |
|--|--|
| Windows Embedded Compact 7, Windows Embedded Standard 7, Windows 7 Pro(FES), Windows 7 Ultimate(FES), Windows Embedded 8 Standard, Windows Embedded 8.1 Industry Pro, Windows 10 IoT Enterprise 2015LTSP |  |

| Ordering Information |  |
|----------------------|--|
| ARCHMI-817-01        | 17" SXGA Fanless HMI barebone with Intel Celeron N2930 1.83GHz CPU, 2GB DDR3L RAM, Resistive touch screen, DC 9~36V input with adapter, Aluminum chassis   |
| ARCHMI-817P-01       | 17" SXGA Fanless HMI barebone with Intel Celeron N2930 1.83GHz CPU, 2GB DDR3L RAM, Projected capacitive touch screen, DC 9~36V input with adapter, Aluminum chassis                                |
| ARCHMI-817H-01       | 17" SXGA Fanless HMI barebone with Intel Celeron N2930 1.83GHz CPU, 4GB DDR3L RAM, Resistive touch screen, DC 9~36V input with adapter, Aluminum chassis, High brightness 1,000nits LCD            |
| ARCHMI-817PH-01      | 17" SXGA Fanless HMI barebone with Intel Celeron N2930 1.83GHz CPU, 4GB DDR3L RAM, Projected capacitive touch screen, DC 9~36V input with adapter, Aluminum chassis, High brightness 1,000nits LCD |

ICP Electronics  
Australia Pty Ltd  
TEL: 02 9457 6011  
sales@icp-australia.com.au  
www.icp-australia.com.au

