



### Features

- Intel 6th/7th Gen. Skylake/Kaby Lake Core™ i7/i5/i3 CPU
- 2 x SO-DIMM, up to 32GB
- Easy accessible storage design
- Support 4K UHD display
- Multi-Expansion slot
- Three independent display ports
- Wide range DC 9~36V power input

### Specifications

| System            |   |
|-------------------|---|
| Processor         | Intel 6th/7th Gen. Skylake/Kaby Lake Core™ i7/i5/i3 CPU with 35W TDP Support  |
| System Chipset    | Intel H170 Chipset  |
| System Memory     | 2 x 260-pin SO-DIMM slot up to 32GB DDR4 1866/2133 MHz                        |
| Outside IO Port   |   |
| USB               | 4 x USB 3.0 type A, 2 x USB 2.0 type A  |
| Serial/Parallel   | 2 x RS-232/422/485 DB-9, COM1/COM2, default RS-232 2 x RS-232 DB-9, COM3/COM4 |
| Audio             | 1 x Line-in, 1 x Line-out, 1 x Mic  |
| LAN               | 4 x GbE LAN RJ-45   |
| Display Interface | 1 x Display port, 1 x DVI-I, 1 x HDMI   |
| GPIO              | 1 x GPIO 8-bit digital I/O(4 x DI, 4 x DO)                                    |
| Power             | 1 x 3-pin DC power input terminal, 1 x power button with light                |

| Storage |  |
|---------|--|
| Storage | 2 x 2.5" SATA3 HDD bay (easy accessible), support RAID 0.1 |

| Expansion for ACS-2330 |  |
|------------------------|--|
| On Board Expansion Bus | 3 x Mini PCIe slot full size (one shared with mSATA) |

| Expansion for ACS-2332 |  |
|------------------------|--|
| On Board Expansion Bus | 3 x Mini PCIe slot full size (one shared with mSATA) |
| Expansion Slot         | 2 x PCIe x1 slots default<br>1 x PCIe x4 slot option |

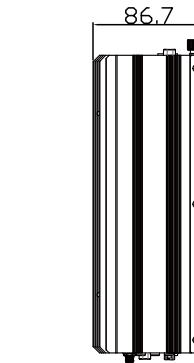
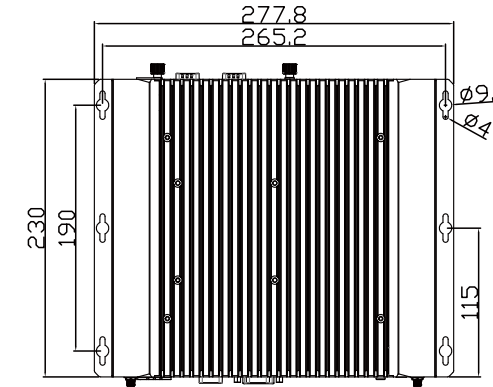
| Power             |   |
|-------------------|---|
| Power Input       | DC 9~36V                                      |
| Power Consumption | MAX: 56.3W (ACS-2330) / MAX: 60.4W (ACS-2332) |

| Mechanical   |   |
|--------------|---|
| Construction | Plating Titanium Gray Aluminum Heatsink and Black Steel Chassis   |
| IP Rating    | IP20  |
| Mounting     | Wall Mount / Din Rail (option) only for ACS-2330                  |
| Dimension    | ACS-2330: 277.8 x 230 x 86.7 mm<br>ACS-2332: 280 x 230 x 134.6 mm |
| Net Weight   | ACS-2330: 4.5 kg<br>ACS-2332: 5.5 kg                              |

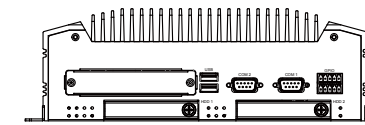
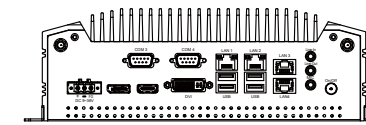
| Environmental         |                              |
|-----------------------|------------------------------|
| Operating Temperature | 0~50°C / -20~60°C (option)   |
| Storage Temperature   | -40~85 °C                    |
| Storage Humidity      | 10~90% @40 °C non-condensing |
| Certificate           | CE / FCC Class A             |

### Dimensions

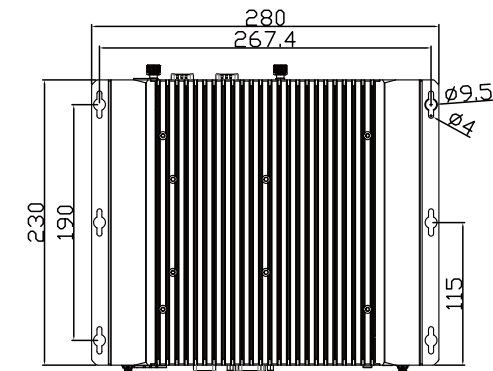
ACS-2330



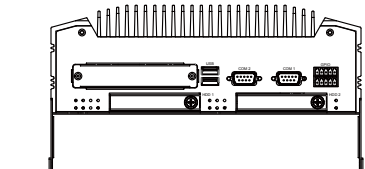
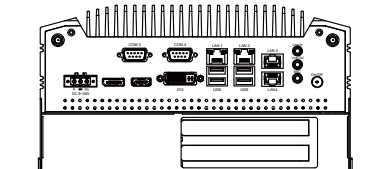
UNIT: mm  
Tolerance: ± 0.5



ACS-2332



UNIT: mm  
Tolerance: ± 0.5



### Operating System Support

Windows Embedded 8.1 Industry Pro  
Windows Embedded 8 Standard  
Windows 10 IOT 2016

### Ordering Information

|                     |  |
|---------------------|--|
| ACS-2330 (Barebone) | Fanless Box PC, Intel 6th/7th Core i CPU, 2 x SO-DIMM, DDR4 slots, 2 x 2.5" HDD space, 3 x mini-PCIe slots, DC 9~36V power input with adaptor, Steel Chassis with Aluminum Heat sink                   |
| ACS-2332 (Barebone) | Fanless Box PC, Intel 6th/7th Core i CPU, 2 x SO-DIMM, DDR4 slots, 2 x 2.5" HDD space, 3 x mini-PCIe slots, 2 x PCIe x1 slot, DC 9~36V power input with adaptor, Steel Chassis with Aluminum Heat sink |

ICP Electronics  
Australia Pty Ltd

TEL: 02 9457 6011  
sales@icp-australia.com.au  
www.icp-australia.com.au

